

**LINAMAR**

Power to Perform



1.329.410  
"8249"

**OROS**

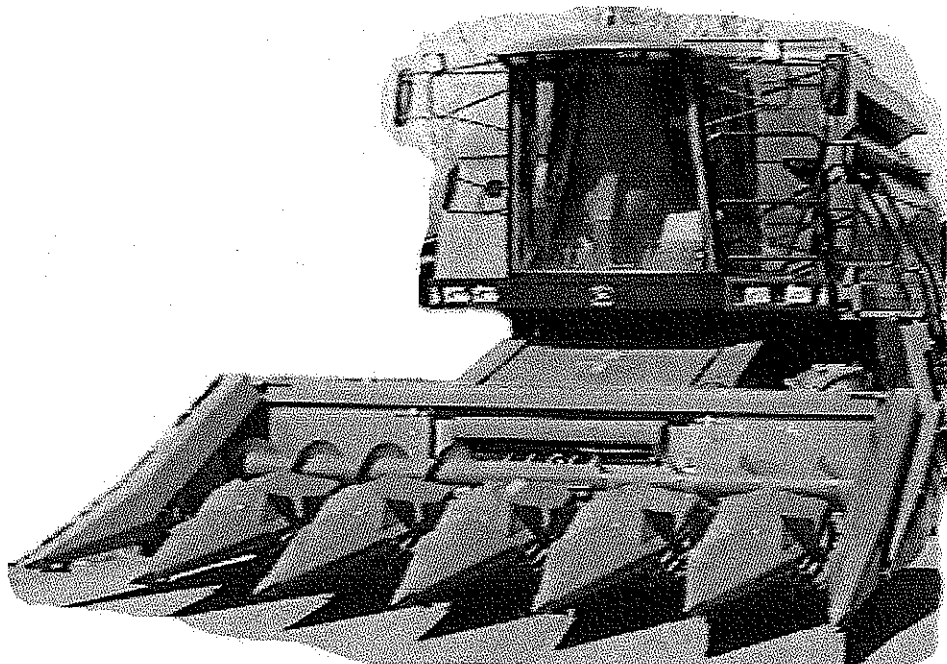
**KUKORICABETAKARÍTÓ ADAPTER  
PÓTALKATRÉSZJEGYZÉK**

**КУКУРУЗНАЯ ЖАТКА  
ПЕРЕЧЕНЬ ЗАПАСНЫХ ЧАСТЕЙ**

**CORN HEAD SPARE PART LIST**

**MAISPFLÜCKERVORSATZ  
ERSATZTEILLISTE**

**CUEILLEUR A MAÏS CATALOGUE  
DES PIÈCES DE RECHANGE**



2007.

КУКУРУЗНАЯ ЖАТКА OROS – 8249 NH CX 740-860, NH CS, 8242 NH TC 56

1.329.710

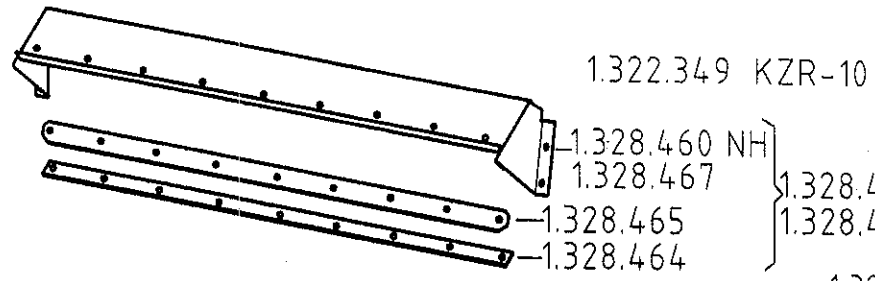
742.	Каркас монтированный
743.	Консольный шнек монтированный
778.	Вал левый монтированный
779.	Вал правый монтированный
869.	Боковой привод – 77.5/80 см
872.	Боковой привод 8R-77.5/70/76.2 см
895.	Звёздочки
826.	Натяжение цепи
930.	Русло монтированное
873.	Приводной механизм
875.	Соединения приводного механизма
874.	Содержание русла
950.	ХША монтированный
865.	Установочный механизм рейки срывания початков
717.	Соединения русла, держатели обшивки
942.	Средние пластмассовые обшивки - 76.2-80см
932.	Средние пластмассовые обшивки - 70см
840.	Крайние пластмассовые обшивки
915.	Борта
781.	Правые передние обшивки
782.	Левые передние обшивки
897.	Монтировочный набор
624.	Набор этикеток

2007.

OROS – 8249 NH CX 740-860, NH CS, 8242 NH TC 56 CSŐTÖRŐ  
TARTALOMJEGYZÉK

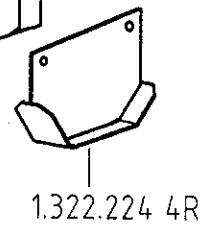
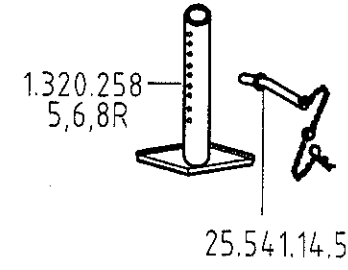
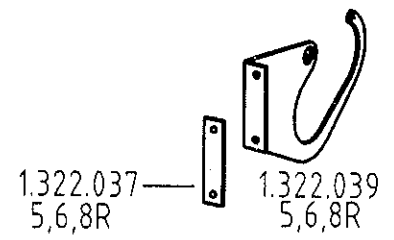
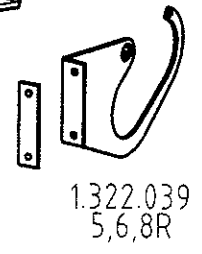
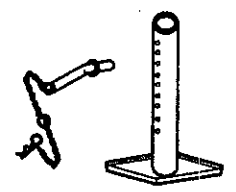
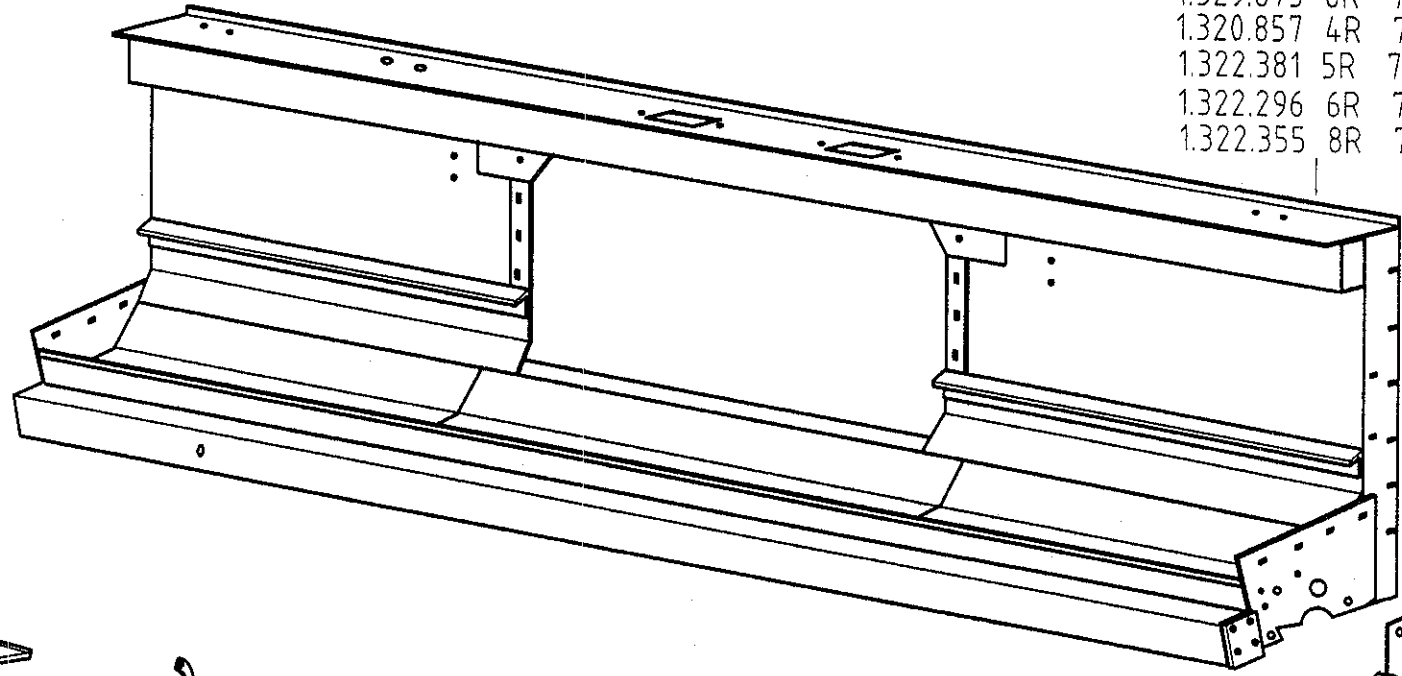
1.329.710

742.	Váz szerelt
743.	Gyűjtőcsiga szerelt
778.	Tengely bal szerelt
779.	Tengely jobb szerelt
869.	Oldalhajtás -77.5/80cm-
872.	Oldalhajtás 8R-77.5/70/76.2cm-
895.	Lánckerekek
826.	Láncfeszítés
930.	Törőegység szerelt
873.	Hajtómű
875.	Hajtómű összekötések
874.	Törőegység összetétel
950.	HSA szerelt
865.	Törőléc állító mechanizmus
717.	Törőegység összekötők, burkolattartók
942.	Műanyag középső burkolatok - 76.2-80cm
932.	Műanyag középső burkolatok - 70cm
840.	Műanyag szélső burkolatok
915.	Oldalmagasítás
781.	Jobb első burkolatok
782.	Bal első burkolatok
897.	Felszerelő készlet
624.	Címkegarnitúra



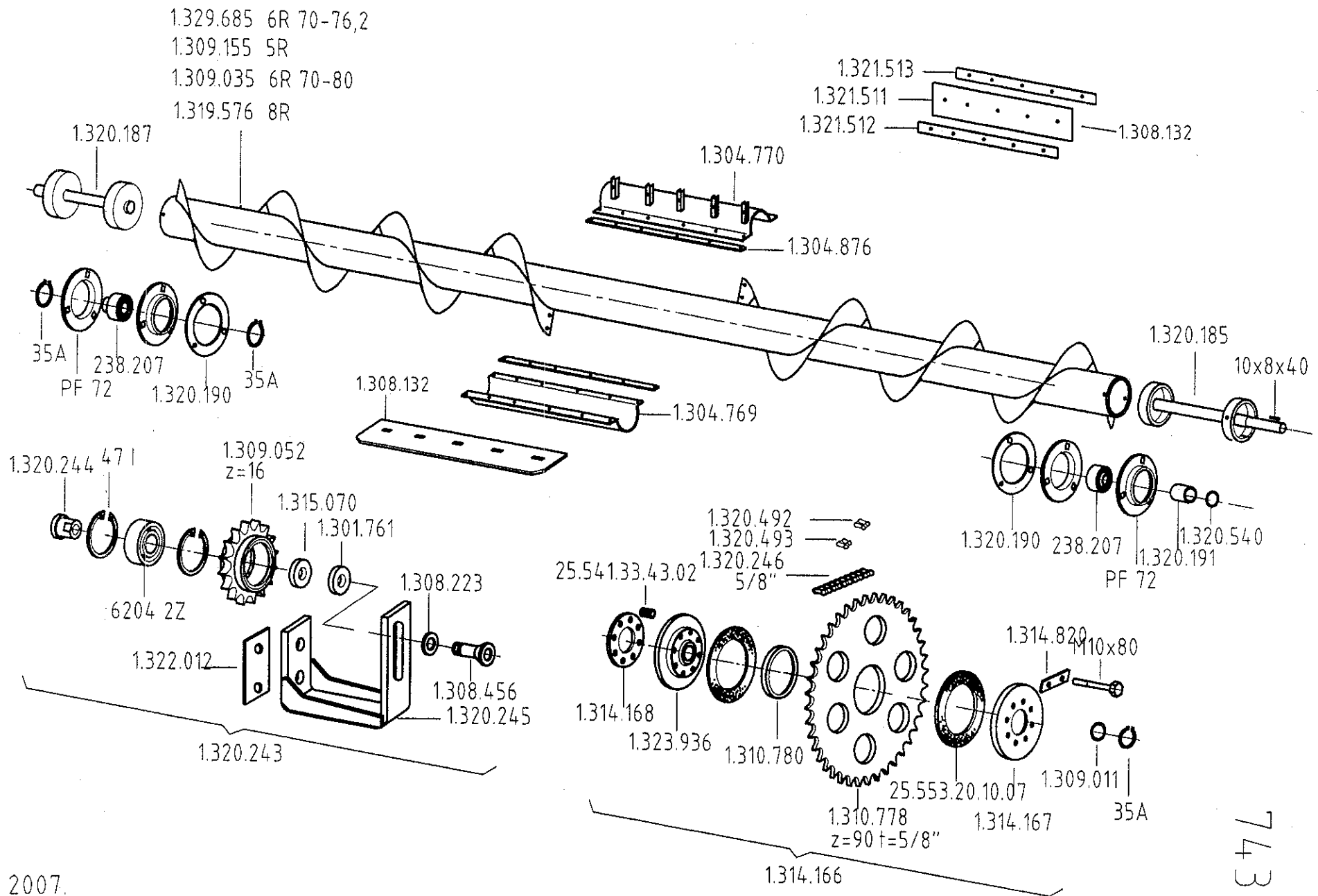
1.328.466  
1.328.459 NH.

- 1.329.675 6R 70-76,2
- 1.320.857 4R 72-75
- 1.322.381 5R 70-80
- 1.322.296 6R 70-80
- 1.322.355 8R 70-76.2



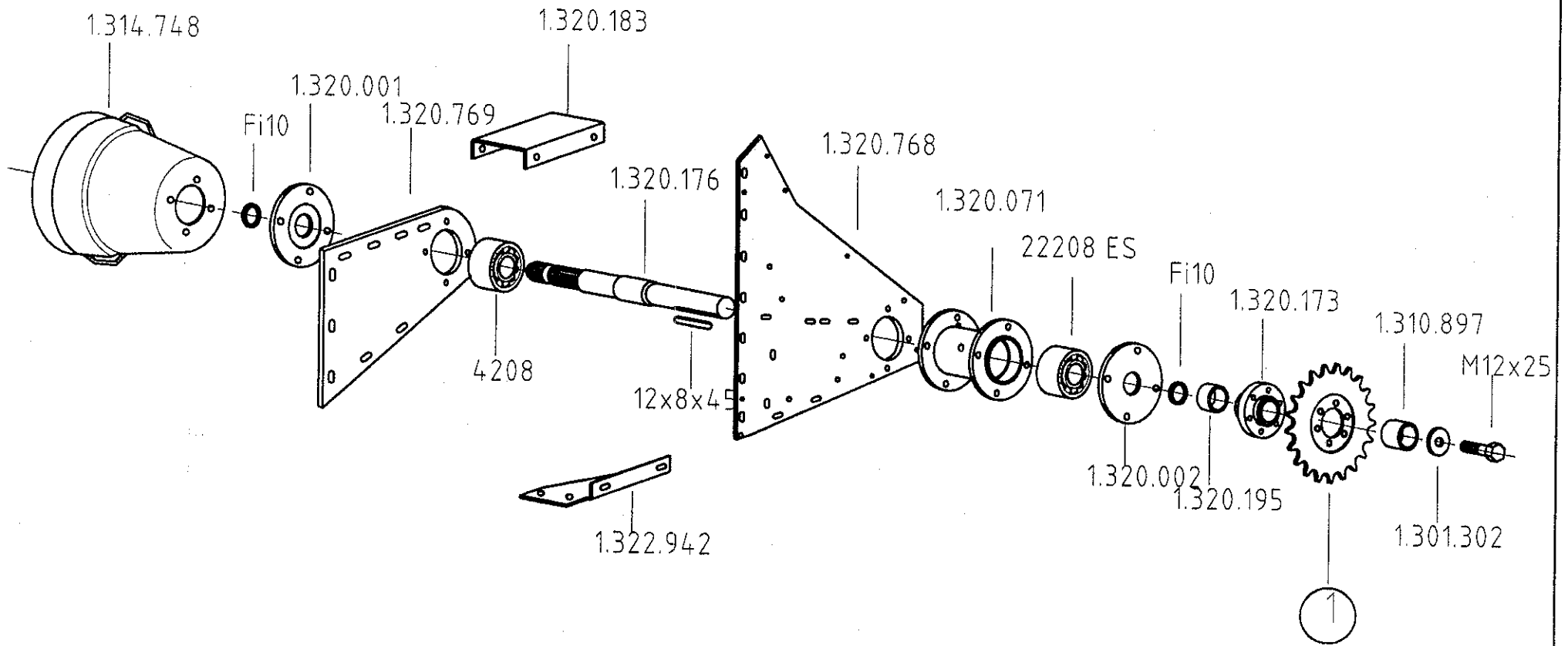
2007.

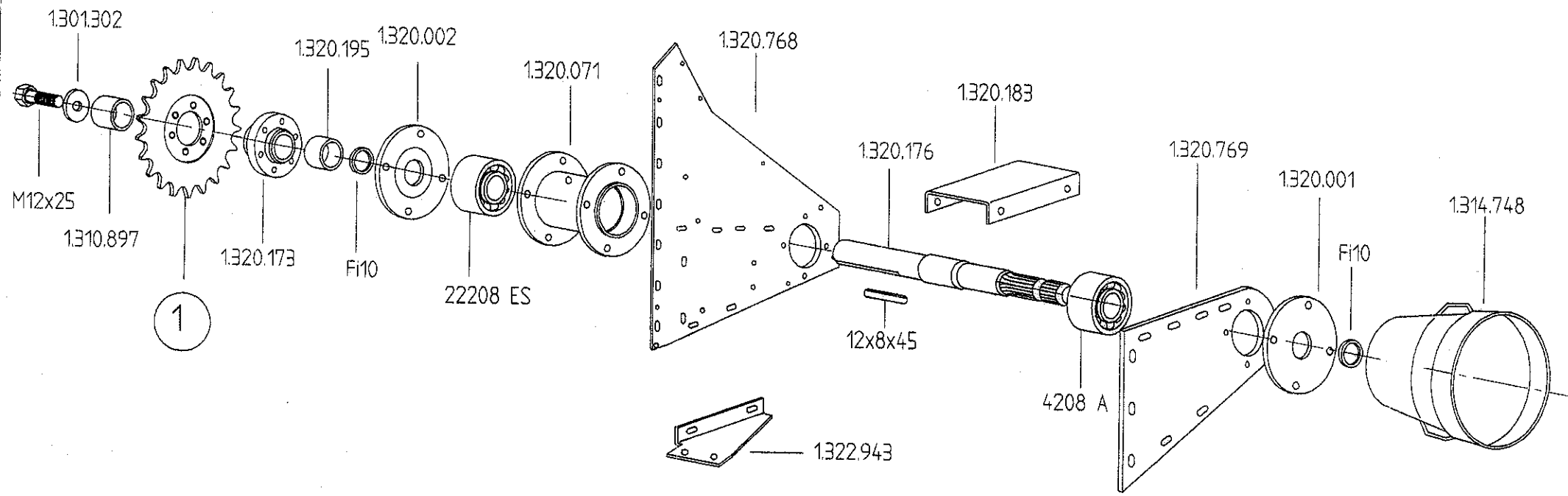
742



2007.

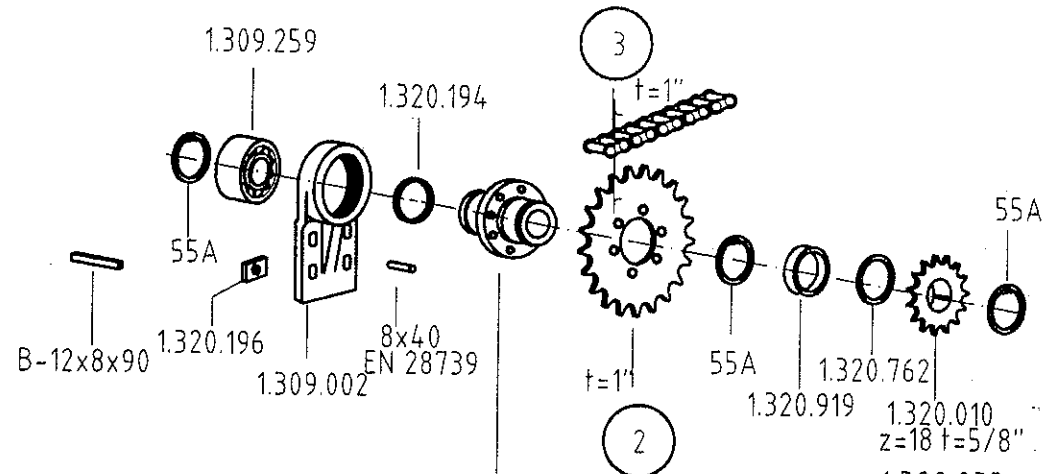
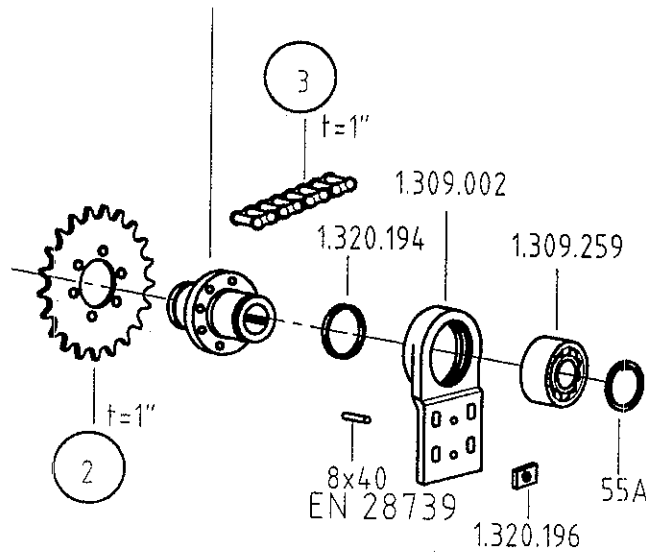
743





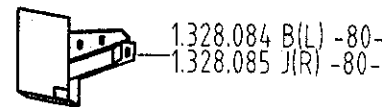
779

- 1.326.127 l=139 5R/76.2cm
- 1.322.966 l=104 6R/77.5cm
- 1.322.966 l=104 5R/77.5cm
- 1.322.964 l=70 5R/80cm
- 1.322.964 l=70 6R/80cm
- 1.322.964 l=70 6R/76.2cm /70-76.2/
- 1.322.964 l=70 6R/100cm /91.4-100/
- 1.322.964 l=70 8R/76.2cm /70-76.2/
- 1.322.964 l=70 8R/96.5cm /91.4-96.5/



- 1.326.124 l=176 5R/76.2cm
- 1.322.965 l=141 6R/77.5cm
- 1.322.965 l=141 5R/77.5cm
- 1.322.963 l=106 5R/80cm
- 1.322.963 l=106 6R/80cm
- 1.322.963 l=106 6R/100cm /91.4-100/
- 1.322.963 l=106 6R/76.2cm /70-76.2/
- 1.322.963 l=106 8R/76.2cm /70-76.2/
- 1.322.963 l=106 8R/96.5 /91.4-96.5/

- 1.322.933 z=20 t=5/8"
- 1.328.649 z=22 t=5/8"



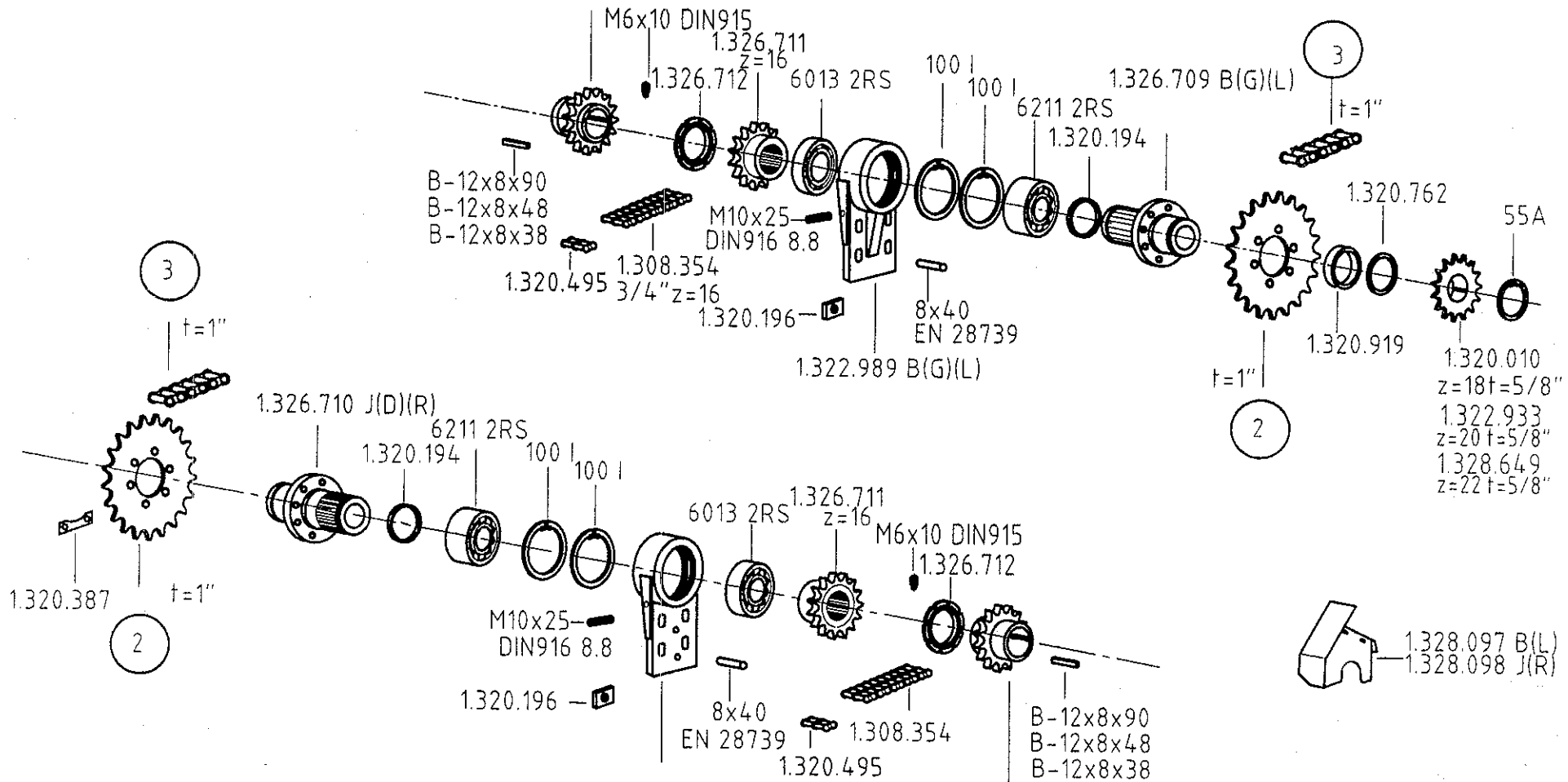
5R-6R/76.2  
 5-6-R/77.5/80cm  
 6R/100cm  
 8R/76.2/96.5cm

2007.

869



1.323.895 l=170 8R/70 /70-76/  
 1.322.996 l=105 8R/91.4 /91.4-96.5/








8R/70,91.4

2007.






1.329.810 l=120 8R/70 /70-76/+HSA  
 1.322.996 l=105 8R/91.4 /91.4-96.5/  
 1.323.895 l=170 8R/70

872

# OROS + SA

	①	②	③	HALF EYE	PATENT EYE
					
'B'	1.320.011 z=21 t=1"	1.320.011 z=21 t=1"	1.326.717 x=93 t=1"	1.320.488 t=1"	1.320.489 t=1"
'B'	1.326.252 z=23	—	—	—	—

# SA

					
'A'	1.307.404 z=40 t=3/4"	1.306.492 z=16 t=3/4"	1.309.236 x=89 t=3/4"	1.320.494 t=3/4"	1.320.495 t=3/4"
'B'	1.307.401 z=34 t=3/4"	1.307.341 z=18 t=3/4"			

n=580






'A' TC N°Sxxx252001 - ig; TX 62-68 N°S xx1246001-ig

'B' TC N°Sxxx252001-tol; TX 62-68 N°S xx1246001-tol

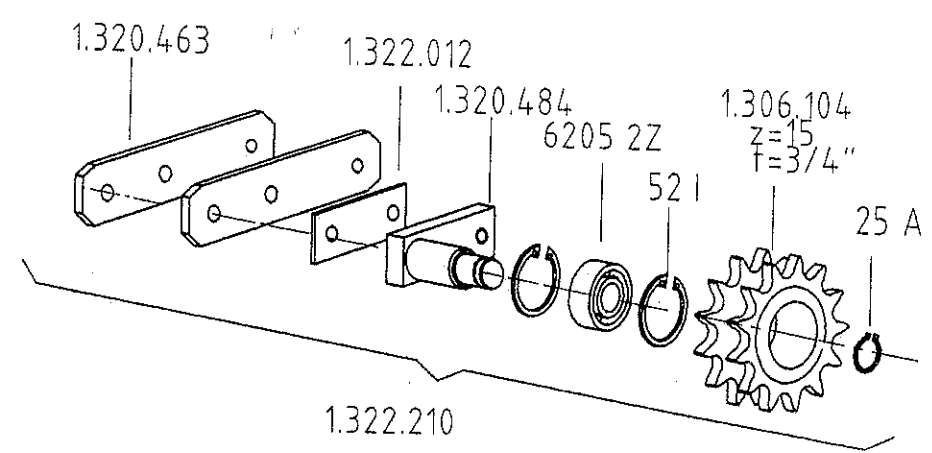
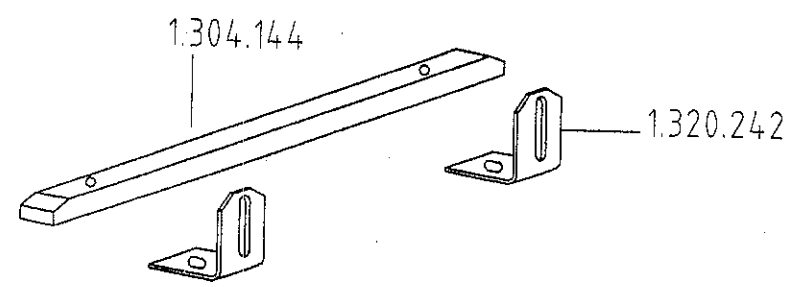
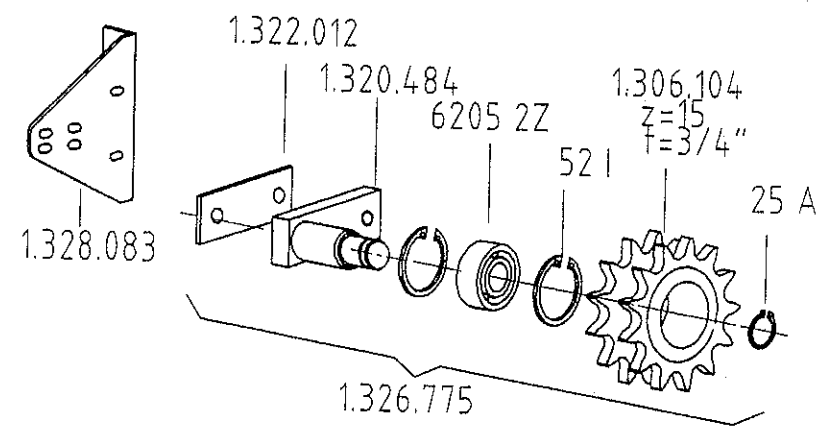
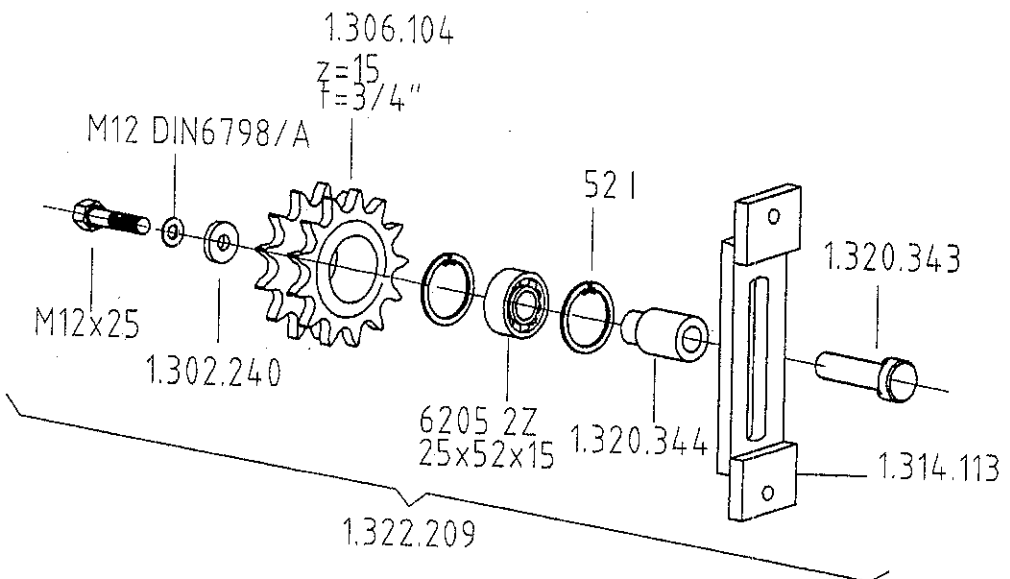
NH

2007.

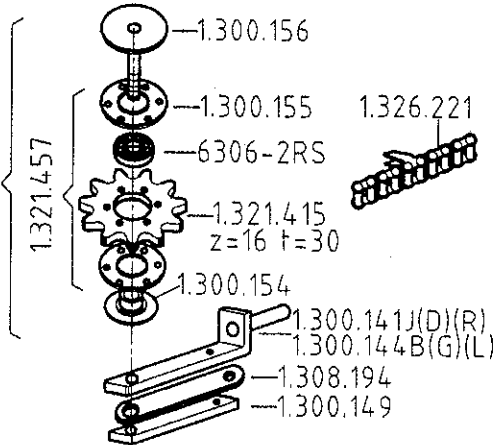
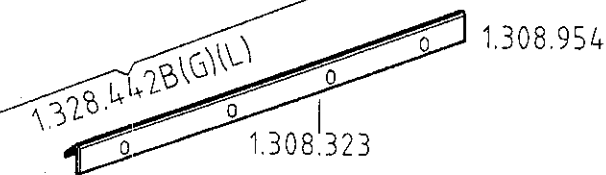
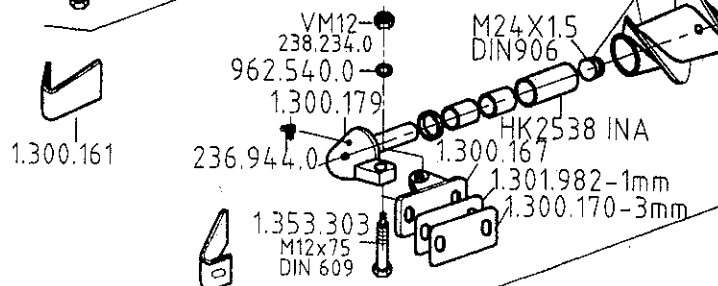
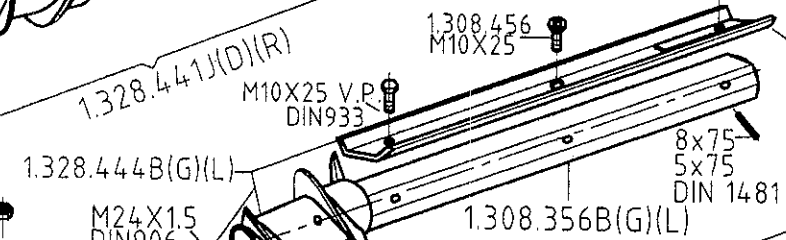
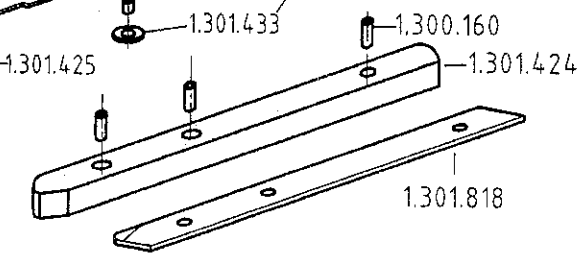
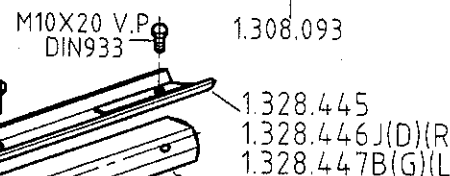
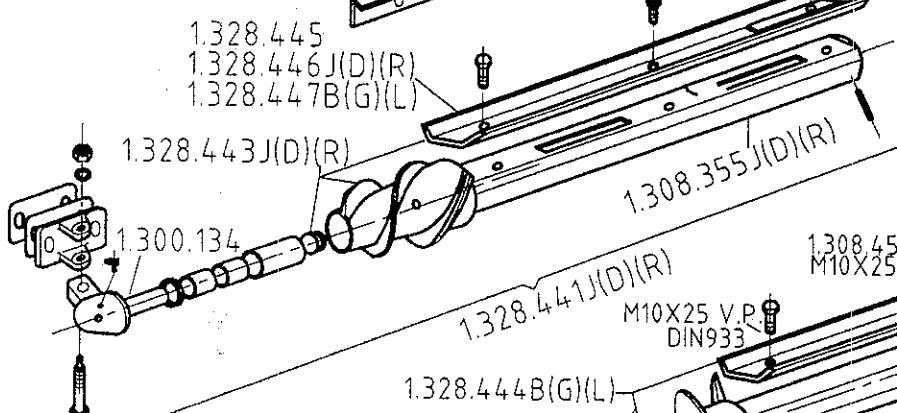
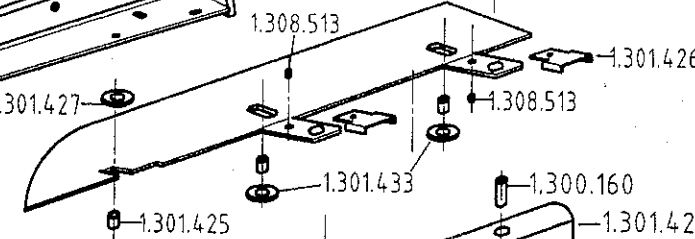
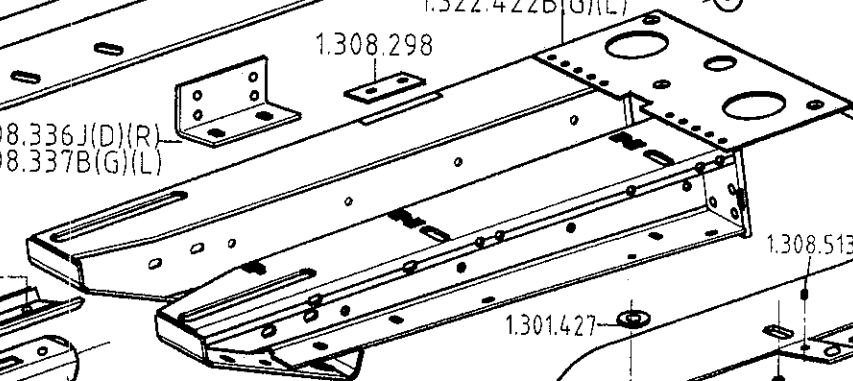
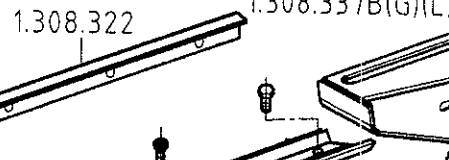
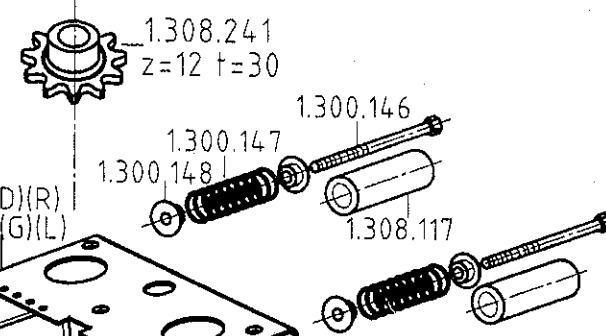
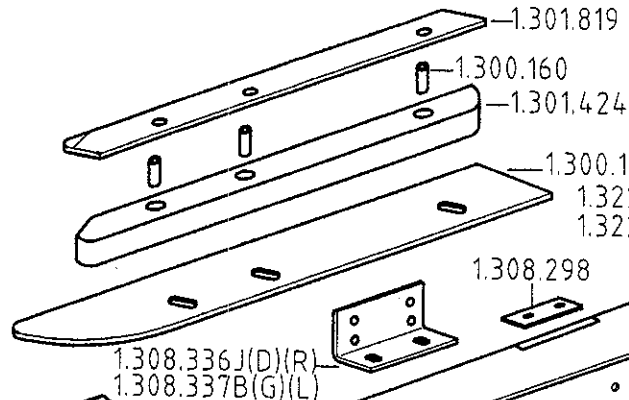
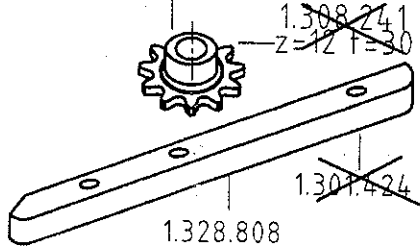
# OROS + HSA

	①	②	③	HALF EYE	PATENT EYE
					
'B'	1.307.496 z=28 t=3/4"	1.307.367 z=24 t=3/4"	1.319.157 x=125 t=3/4"	1.320.494 t=3/4"	1.320.495 t=3/4"
'B'	1.307.499 z=25 t=3/4"	—	—	—	—
'A'	1.307.498 z=32 t=3/4"				

895

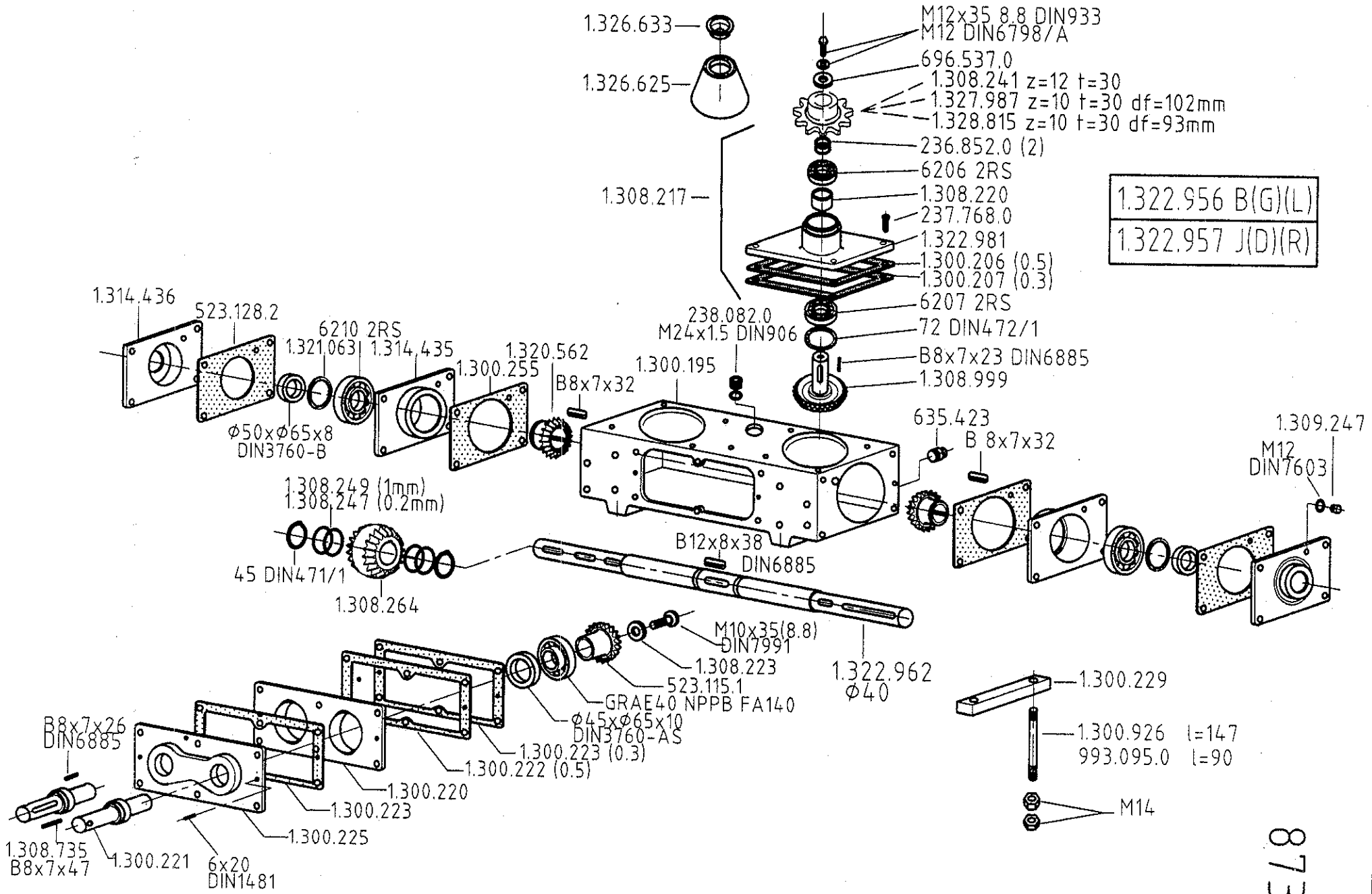


1.328.815 df=93mm  
z=10 t=30  
1.327.987 df=102mm  
z=10 t=30



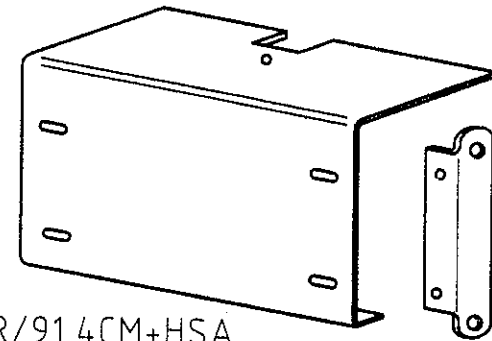
2007

930



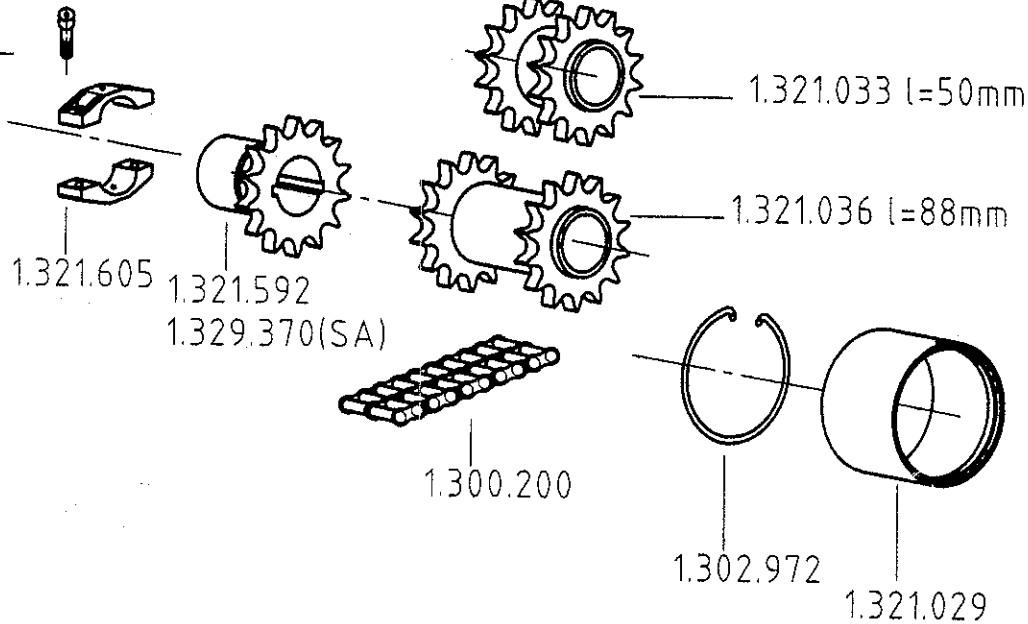
1.322.956 B(G)(L)  
 1.322.957 J(D)(R)

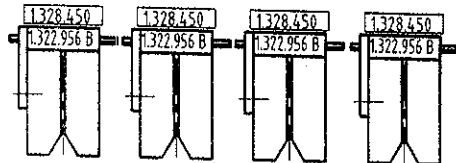
- 1.329.432 181 mm 4,5,6,8R/70 CM+HSA (70-76,2)
- 1.316.910 236 mm 4+2X2/3X70+4X72 SOLO; HSA 6R/70 SOLO (70-76,2)
- 1.314.658 201mm 4,5,6R/72 CM+HSA
- 1.314.659 146mm 4,5,6R/72+HSA; 4+2X2/3X70+4X72CM+HSA
- 1.314.660 243mm 4,5,6R/76,2+HSA
- 1.314.661 188mm 5,6,4+2R/76,2 CM +HSA
- 1.314.662 256mm 4,5,6/72 CM; 4+2X2/3X70+4X72
- 1.314.663 298mm 4,5,6,8,4+2X2R/76,2; 4+2X2R/80CM
- 1.314.664 281mm 5,6R/80 CM+HSA
- 1.314.665 226mm 4,5,6,4+2,4+2X2/80 CM+HSA
- 1.314.666 336mm 5,6,8R/80CM SOLO; 4+2,4+2X2/80CM+HSA; 6R,8R/91,4CM+HSA
- 1.307.397 290mm 4,5,6R/70CM+SA



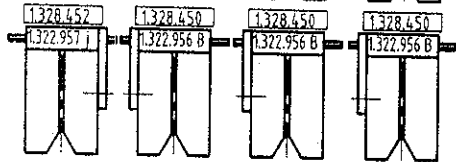
1.314.285

M12x30 IP.  
DIN912-10.9

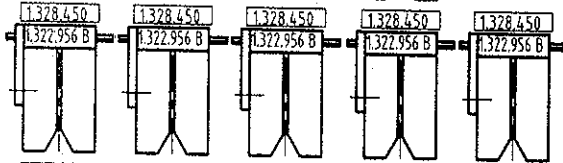




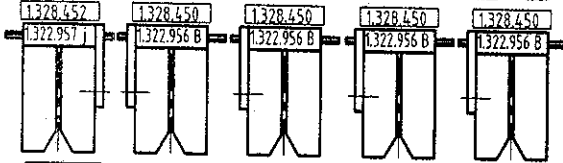
4R 70cm HSA



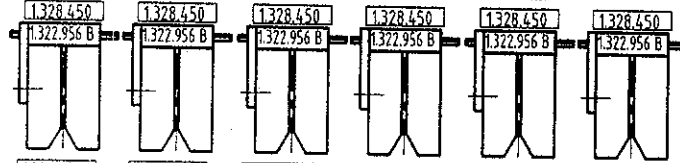
4R



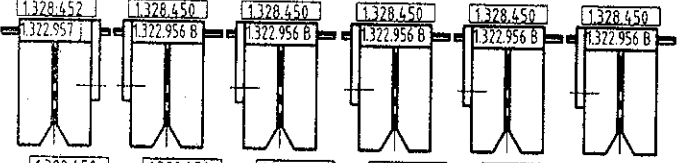
5R 70cm HSA



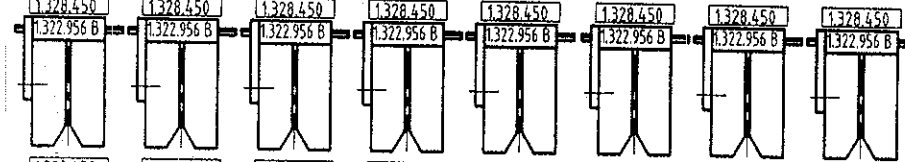
5R



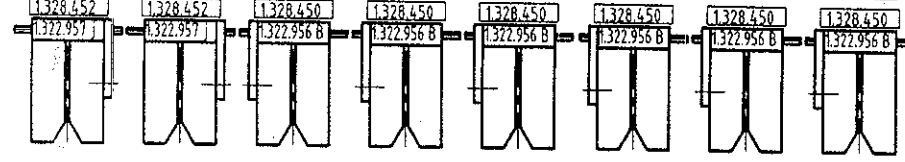
6R 70cm HSA



6R



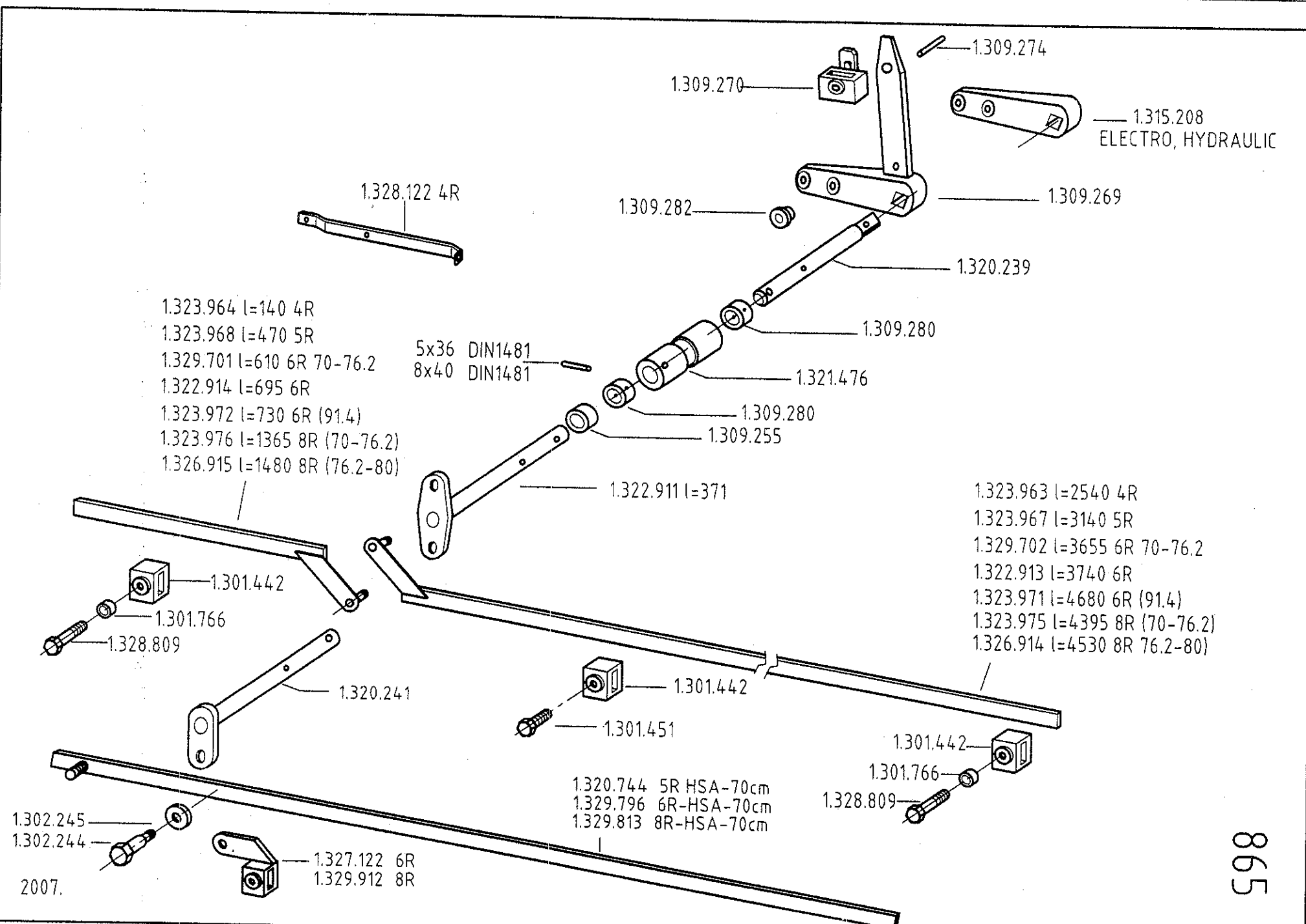
8R 70cm HSA



8R







- 1.323.964 l=140 4R
- 1.323.968 l=470 5R
- 1.329.701 l=610 6R 70-76.2
- 1.322.914 l=695 6R
- 1.323.972 l=730 6R (91.4)
- 1.323.976 l=1365 8R (70-76.2)
- 1.326.915 l=1480 8R (76.2-80)

- 5x36 DIN1481
- 8x40 DIN1481

1.315.208  
ELECTRO, HYDRAULIC

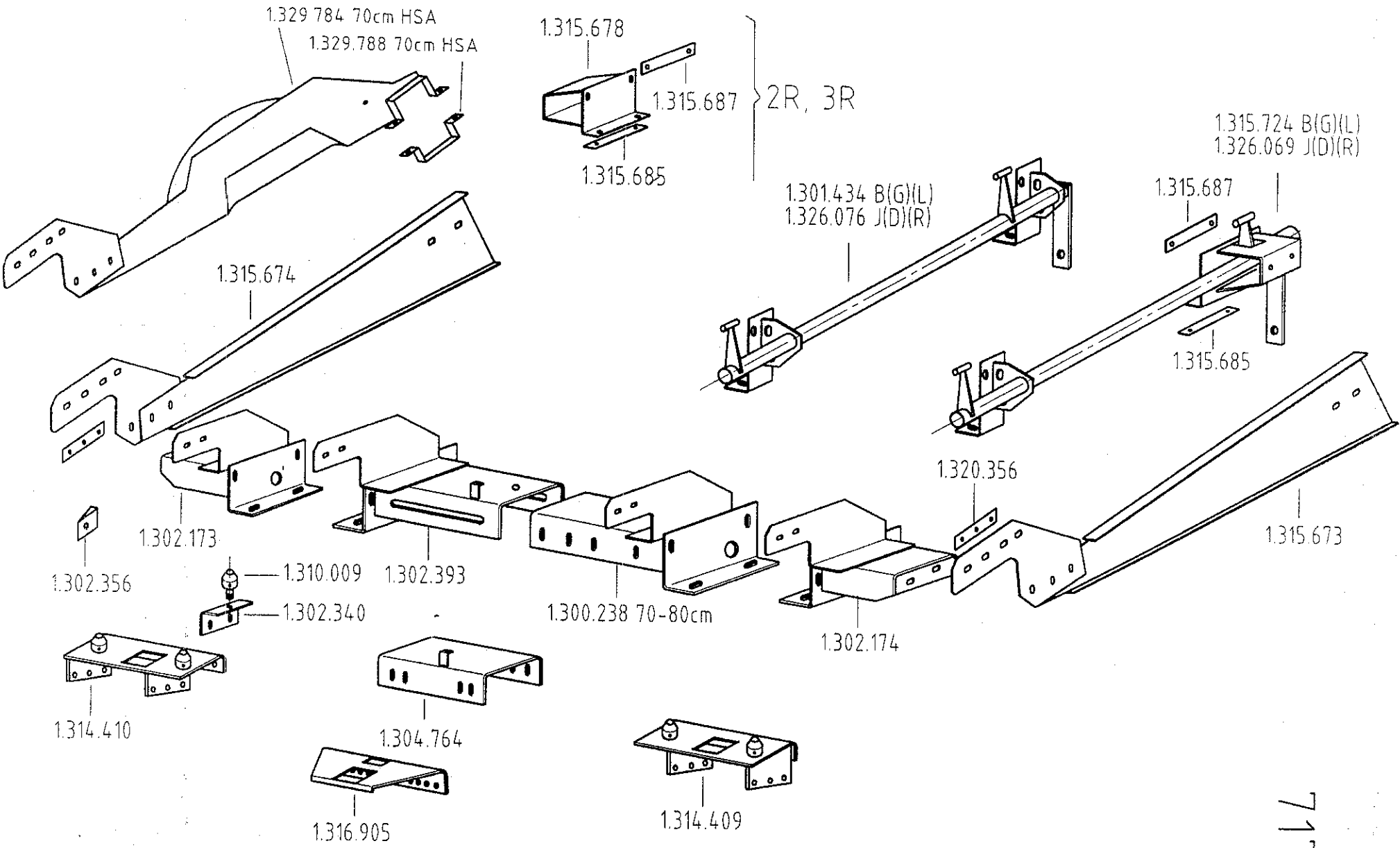
- 1.302.245
- 1.302.244

- 1.320.744 5R HSA-70cm
- 1.329.796 6R-HSA-70cm
- 1.329.813 8R-HSA-70cm

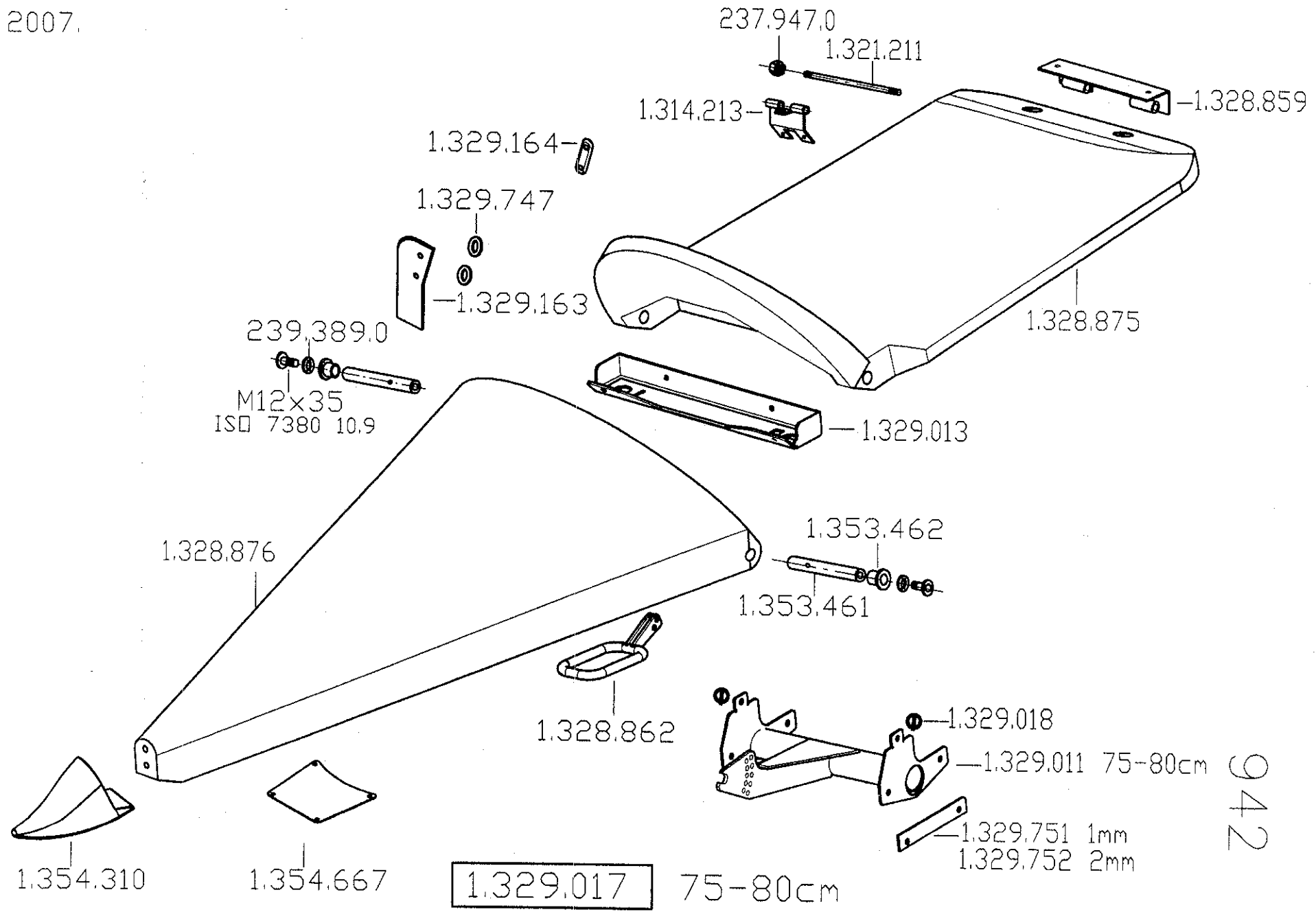
- 1.323.963 l=2540 4R
- 1.323.967 l=3140 5R
- 1.329.702 l=3655 6R 70-76.2
- 1.322.913 l=3740 6R
- 1.323.971 l=4680 6R (91.4)
- 1.323.975 l=4395 8R (70-76.2)
- 1.326.914 l=4530 8R 76.2-80)

2007.

865

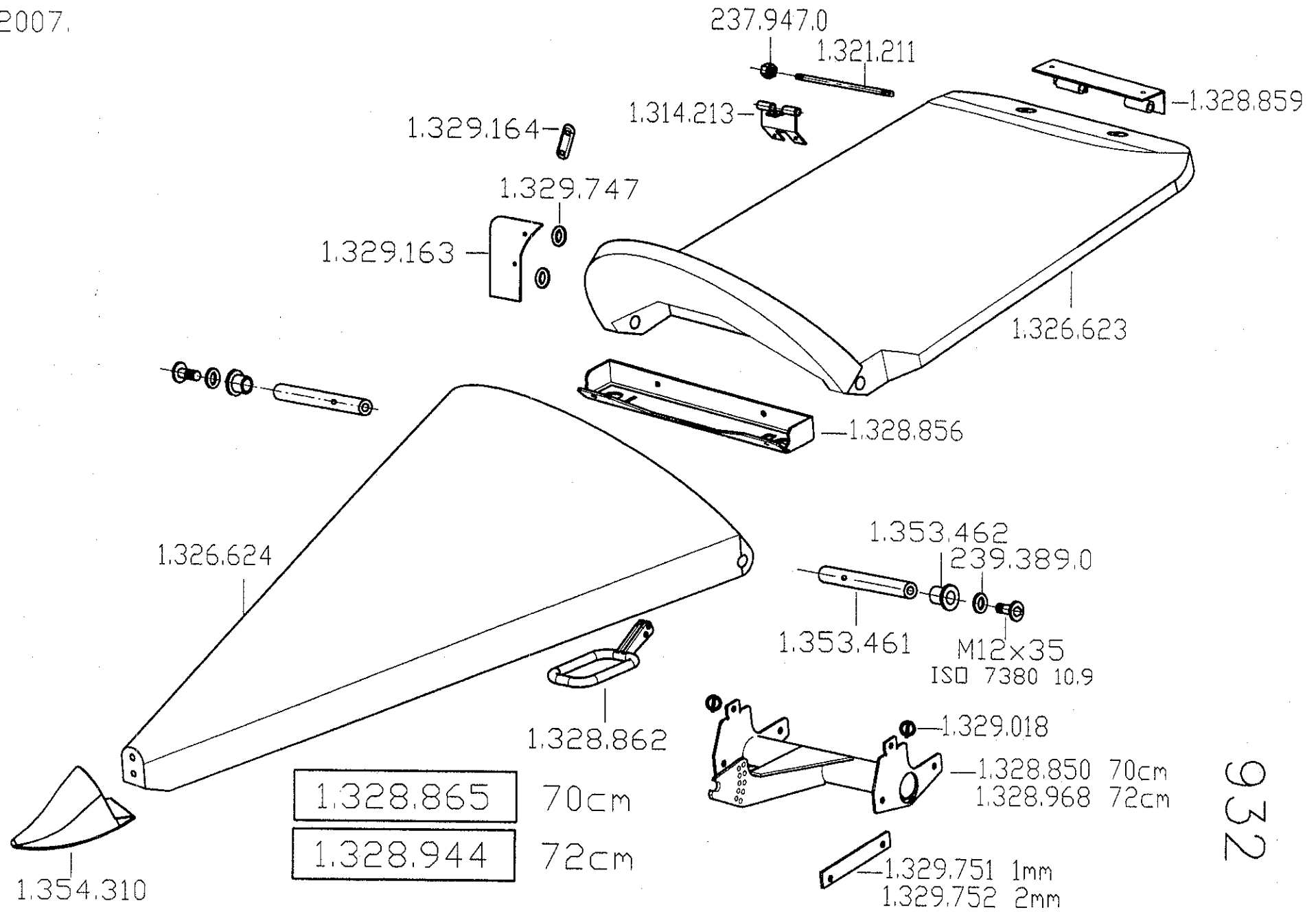


2007.

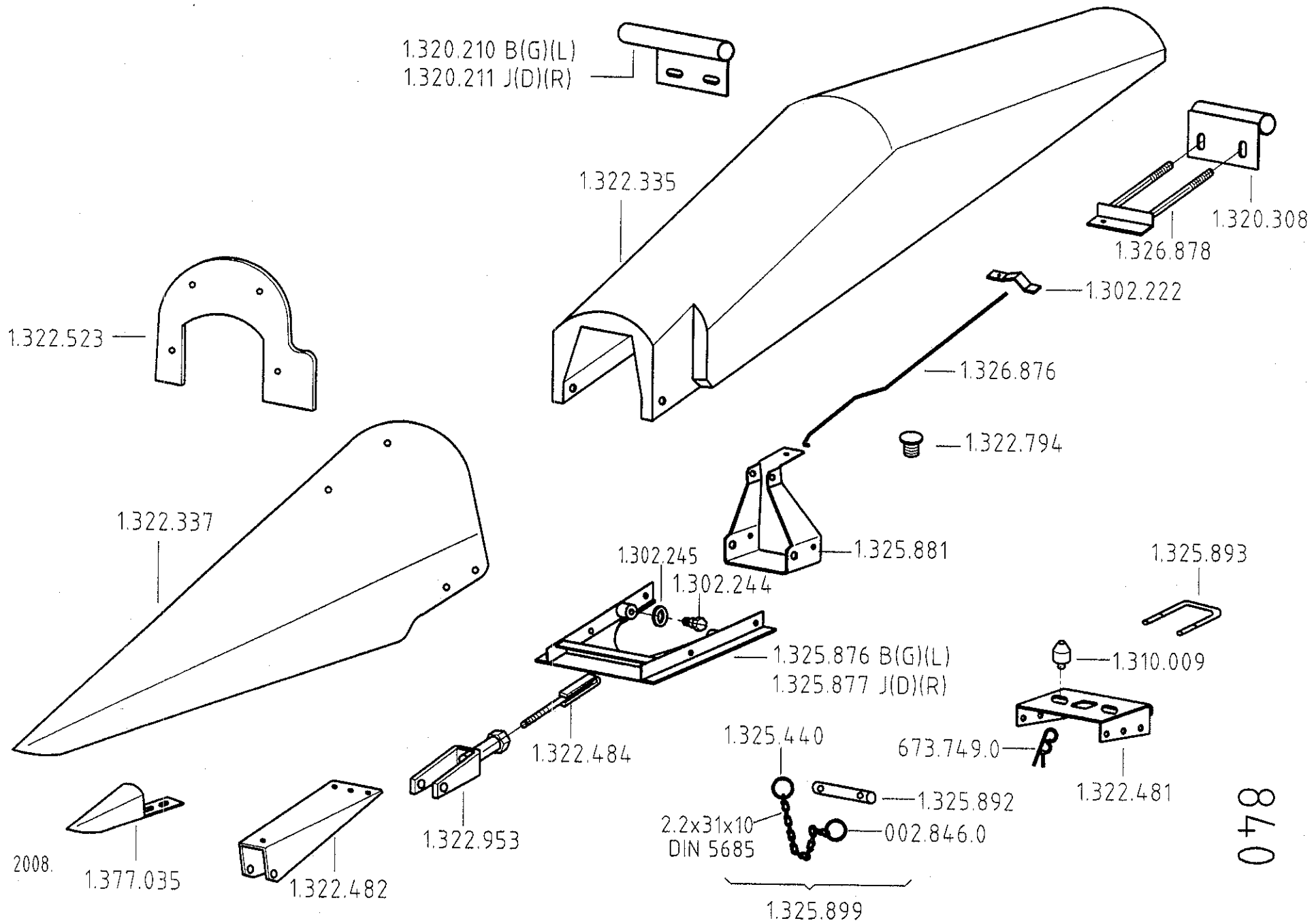


942

2007.

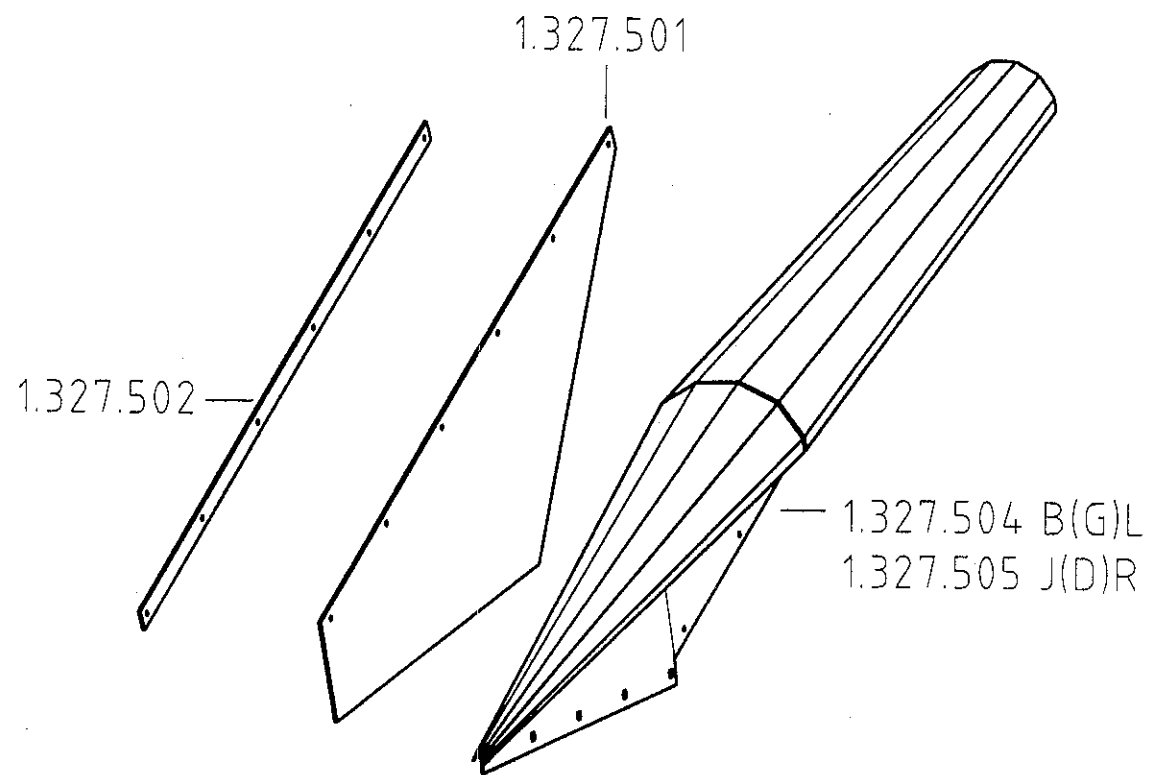


932



2008.

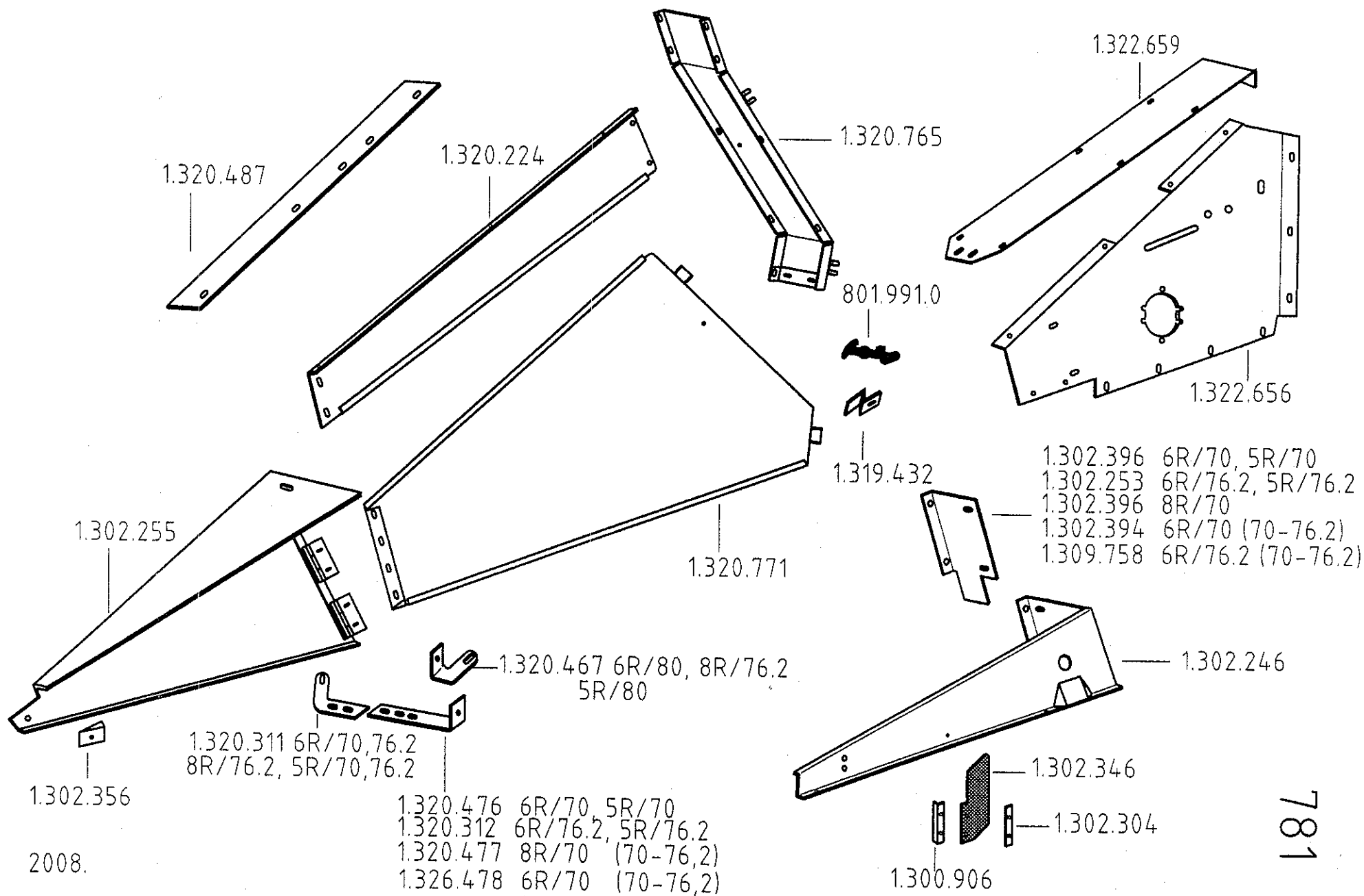
078



2003.

1.327.506 B(G)L  
1.327.507 J(D)R

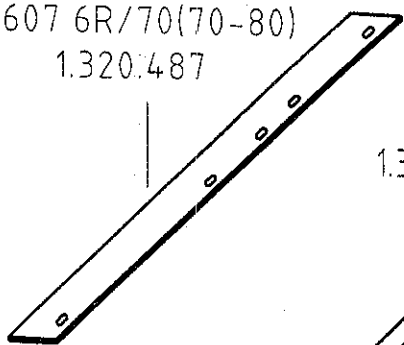
915



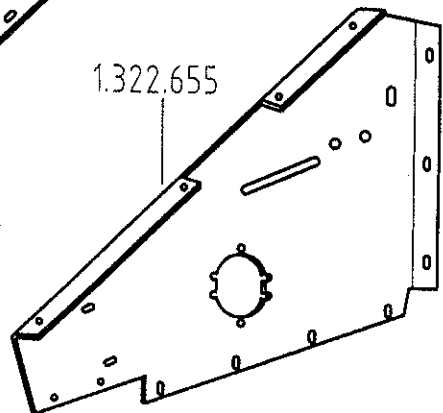
2008.

781

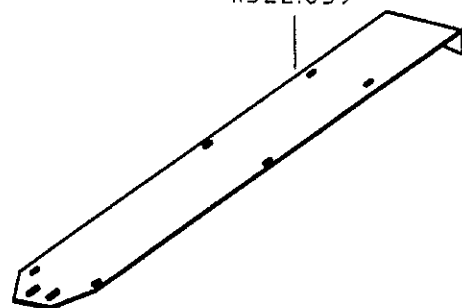
1.320.607 6R/70(70-80)  
1.320.487



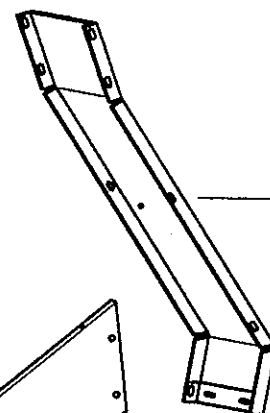
1.322.655



1.322.659

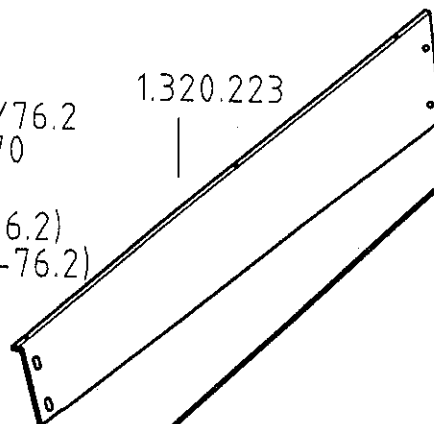


1.320.763



1.320.608 6R/76.2, 5R/76.2  
1.302.254 6R/70, 5R/70  
1.302.397 8R/70  
1.302.395 6R/70 (70-76.2)  
1.309.759 6R/76.2 (70-76.2)

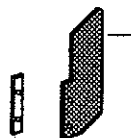
1.320.223



1.319.432

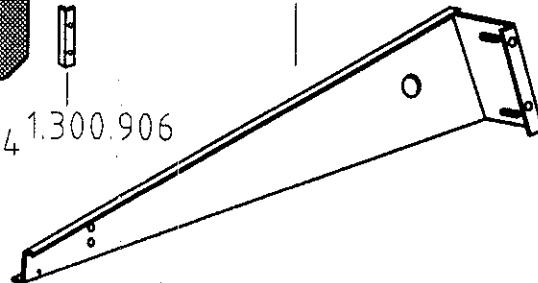


1.302.346 1.302.247

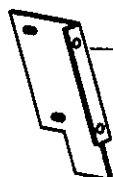


1.300.906

1.302.304



1.320.466 6R/80, 8R/76.2  
5R/80



1.320.311 6R/70, 76.2, 8R/70  
5R/70, 76.2

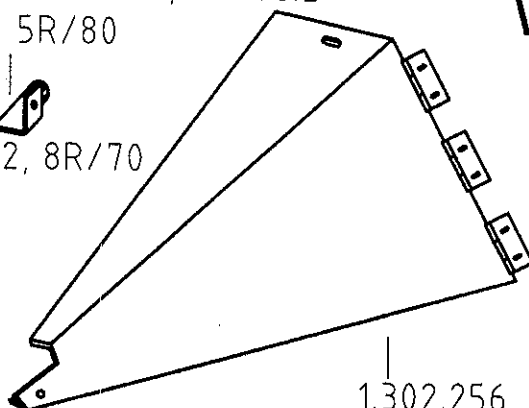


1.320.476 5, 6R/70  
1.320.312 5, 6R/76.2

1.320.477 8R/70, 6R/70 (70-76.2)



1.302.356



1.302.256

1.320.770

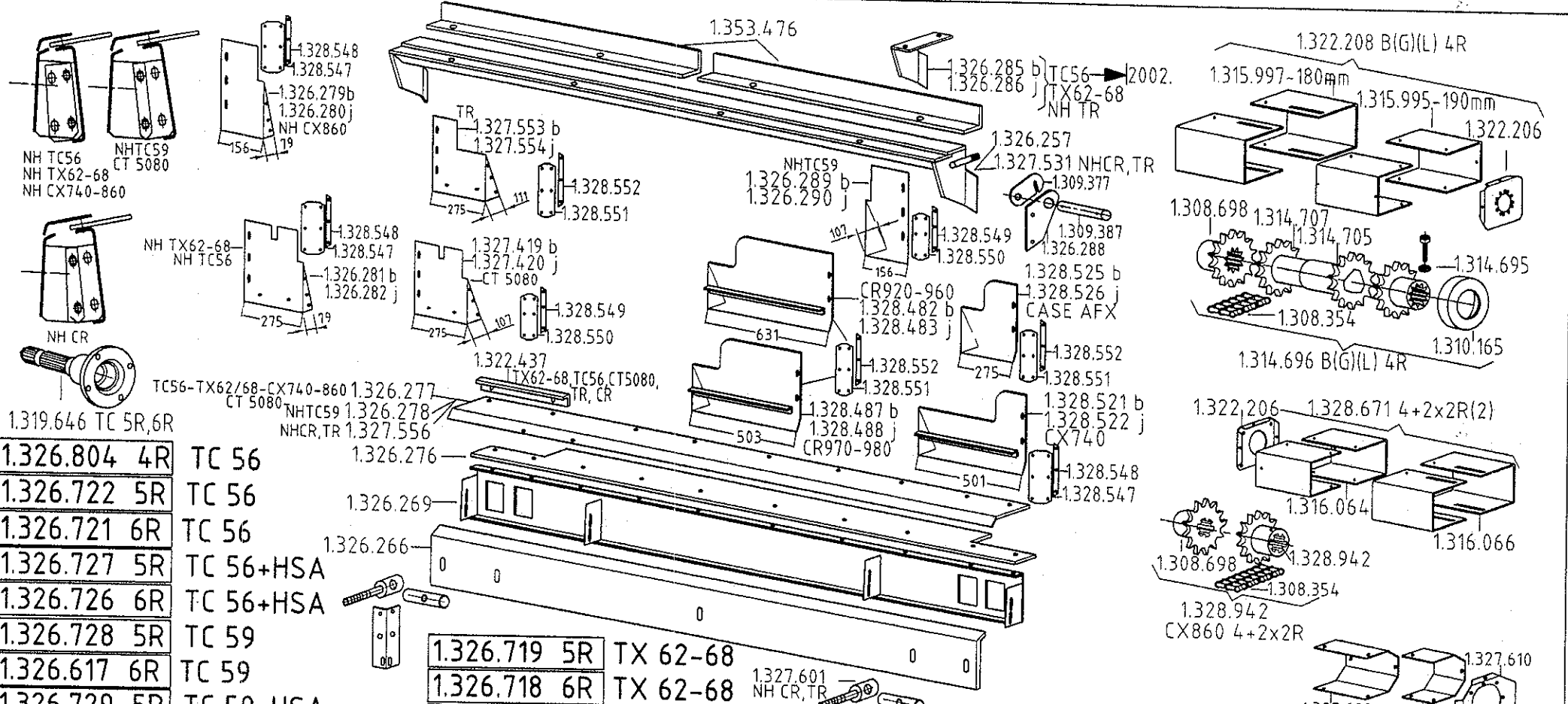
801.991.0



2008.

782



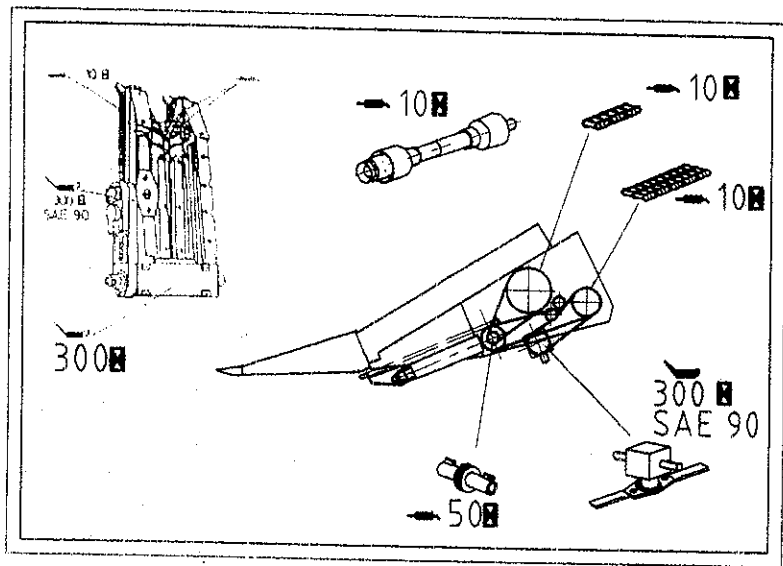


- 1.319.646 TC 5R,6R
- 1.326.804 4R TC 56
- 1.326.722 5R TC 56
- 1.326.721 6R TC 56
- 1.326.727 5R TC 56+HSA
- 1.326.726 6R TC 56+HSA
- 1.326.728 5R TC 59
- 1.326.617 6R TC 59
- 1.326.729 5R TC 59+HSA
- 1.326.715 6R TC 59+HSA
- 1.326.731 5R TX32-36,TF42-46  
897 + 854 pages
- 1.326.730 6R TX32-36,TF42-46  
897 + 854 pages
- 1.327.678 4+2R CX740-860+HSA
- 1.327.681 4+2R TX 62-68+HSA
- 1.328.940 4+2x2R CX 860

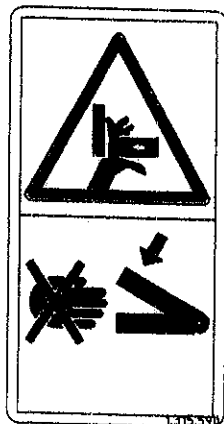
- 1.326.719 5R TX 62-68
- 1.326.718 6R TX 62-68
- 1.326.920 8R TX 62-68
- 1.326.724 5R TX 62-68+HSA
- 1.326.723 6R TX 62-68+HSA
- 1.326.270 5R CX 740-860, CS 540-560
- 1.326.564 6R CX 740-860, CS 540-560
- 1.326.714 5R CX 740-860, CS 540-560+HSA
- 1.326.652 6R CX 740-860, CS 540-560+HSA
- 1.327.468 8R CX 740-860 + HSA
- 1.325.852 4+2RS CX740-860+HSA
- 1.326.883 4+2RS TX 62-68+HSA

- 1.326.328 J(D)(R) 5R TC56
- 1.314.443 B(G)(L) 5R TC56
- 1.314.450 6R TC56, TX62-68
- 1.314.453 J(D)(R) 6R TC59
- 1.318.348 B(G)(L) 6R TC59
- 1.314.443 5R TX32-36,TF42-46
- 1.314.450 6R TX32-36,TF42-46
- 1.321.558 J(D)(R) 5R TX62-68,CX740-860
- 1.314.444 B(G)(L) 5R TX62-68,CX740-860
- 1.318.348 6R CX740-860
- 1.314.450 4+2RS CX740-860, TX62-68
- 1.314.457 8R TX62-68, CX740-860
- 1.314.450 5-6R CX740-860, TX62-68 IDASS

897



1.315.111



1.315.590



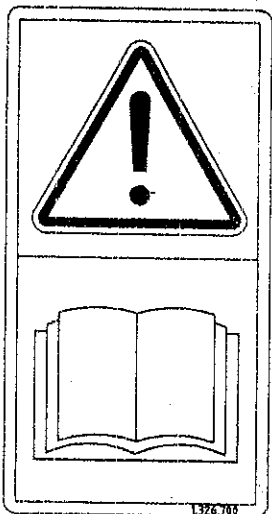
1.315.438



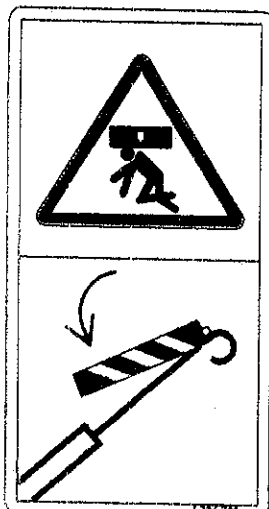
1.315.439



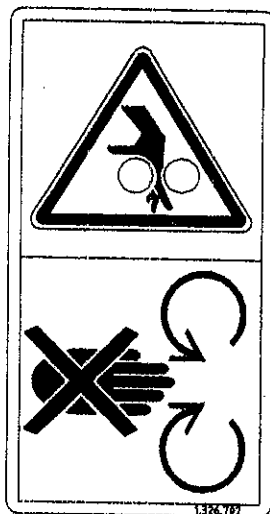
1.315.440



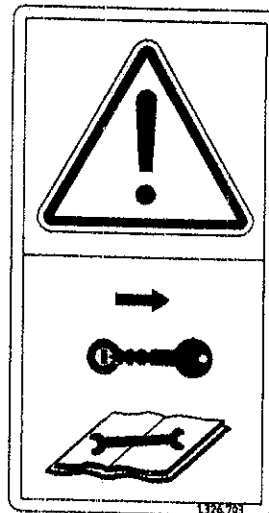
1.326.700



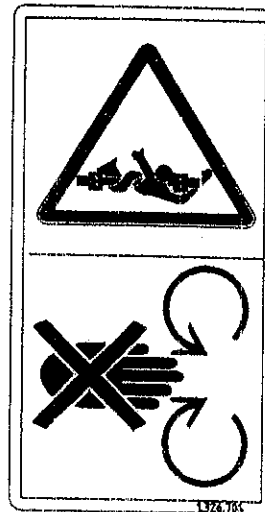
1.326.701



1.326.702



1.326.703



1.326.704



1.326.705



1.326.706