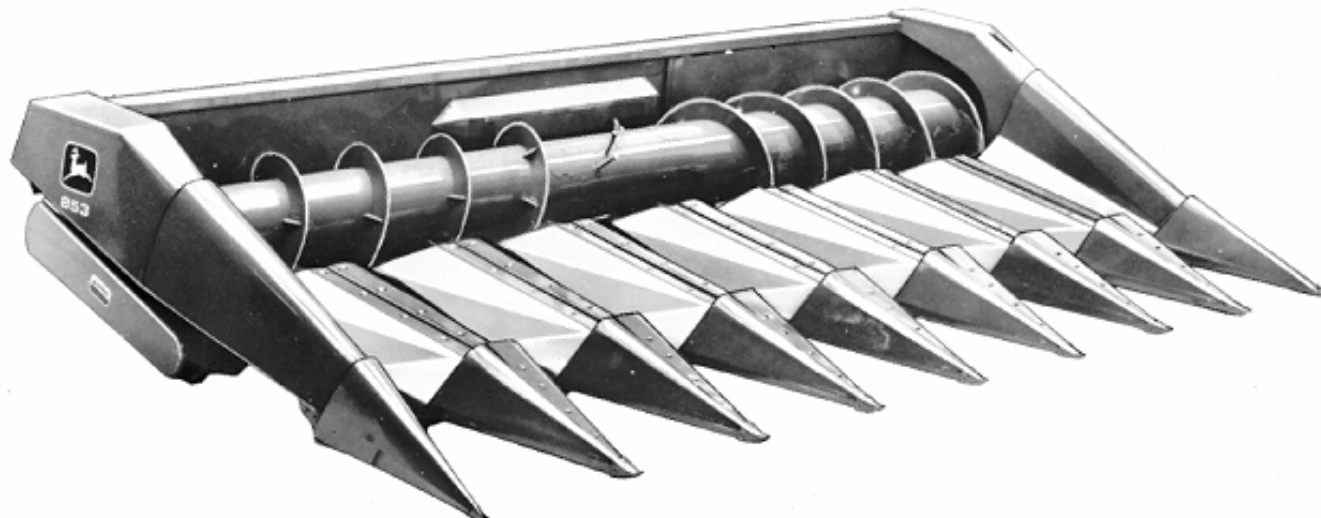


HP1453

-UN-01JAN94



JOHN DEERE 853 ROW-CROP HEAD

(SPECIFICATIONS AND DESIGN SUBJECT TO CHANGE WITHOUT NOTICE)

DATE OF MANUFACTURE

MODEL NO.	DATE
453	(1976-1979)
454	(1975-1979)
554	(1975-1979)
653	(1975-1979)
654	(1976-1979)
853	(1976-1979)

SERIAL NUMBERS

WHEN WRITING ABOUT OR FILLING OUT WARRANTY CLAIMS, USE ALL NUMBERS, LETTERS AND SPACES SHOWN ON THE SERIAL NUMBER PLATE.

SERIAL NUMBER PLATE

198001H

198001 - DESIGNATES ROW-CROP HEAD SERIAL NUMBER
H - DESIGNATES FACTORY (HARVESTER WORKS)

THE 50 SERIES ROW-CROP HEAD SERIAL NUMBER PLATE IS LOCATED ON THE LEFT-HAND SIDE END SHEET OF THE MAIN FRAME.

*COPYRIGHT (C) 2000. DEERE & COMPANY. MOLINE, ILLINOIS
ALL RIGHTS RESERVED*

IMPORTANT

THIS PARTS CATALOG CONTAINS COMPLETE PARTS INFORMATION ON THE 50 SERIES ROW-CROP HEADS. VINTAGE IS DETERMINED BY SERIAL NUMBERS UNDER WHICH ROW-CROP HEADS WERE MANUFACTURED. IT IS IMPORTANT THAT THE CORRECT SERIAL NUMBER BE USED WHEN ORDERING PARTS.

SERIAL NUMBER LISTING INFORMATION

SERIAL NUMBER INFORMATION IS LISTED TO SHOW ON WHICH MACHINES EACH PART CAN BE USED; FOR EXAMPLE:

- THE PART CAN BE USED ON ALL MACHINES.
- 000000- THE PART CAN BE USED ON ALL MACHINES BEGINNING WITH THE SERIAL NUMBER LISTED.
- 000000 THE PART CAN BE USED ON ALL MACHINES UP TO AND INCLUDING THE SERIAL NUMBER LISTED.
- 000000-000000 THE PART CAN BE USED ON ALL MACHINES BETWEEN AND INCLUDING THE SERIAL NUMBERS LISTED.

WHEN XXXXXX'S ARE LISTED IN PLACE OF A SERIAL NUMBER, A SERIAL NUMBER CHANGE WAS MADE BUT THE EXACT SERIAL NUMBER WAS NOT AVAILABLE WHEN THE CATALOG WAS PRODUCED.

JDM REMANUFACTURED COMPONENTS

THE SERVICE PARTS LISTED IN THIS CATALOG ARE INTENDED FOR THE REPAIR OF ORIGINAL EQUIPMENT COMPONENTS. ALTHOUGH MOST SERVICE PARTS MAY BE USED TO REPAIR REMANUFACTURED COMPONENTS, THE REMANUFACTURED DESIGN MAY CHANGE PARTS SUFFICIENTLY SO THAT SERVICE PARTS ARE INADEQUATE OR NOT USABLE.

BOLT AND CAP SCREW STRENGTH IDENTIFICATION

BOLTS AND CAP SCREWS REQUIRED TO HAVE HIGH-STRENGTH QUALITIES EQUIVALENT TO SAE GRADE 8 ARE IDENTIFIED THROUGHOUT THIS CATALOG BY THE DESCRIPTION HS SAE 8. ALL STANDARD BOLTS AND CAP SCREWS ARE SAE GRADE 5 OR LOWER.

COMPLETE GOODS LISTINGS

COMPLETE GOODS ARE LISTED IN BOLD FACE TYPE. ORDER SEPARATELY. DO NOT INCLUDE ON REPLACEMENT PARTS ORDER.

SI UNITS OF MEASURE

METRIC DIMENSIONS ARE GIVEN, WHERE APPLICABLE, THROUGHOUT THIS PARTS CATALOG.

CHANGE INDICATOR LINE

CHANGES AFFECTING THE ORDERING OF PARTS ARE IDENTIFIED BY VERTICAL LINES MARKED IN THE LEFT-HAND MARGIN OF REVISED PARTS LISTING IMAGES. A LINE IS ALSO AT THE LEFT-HAND EDGE OF THE SAME PART NUMBER IN THE NUMERICAL INDEX TO SHOW THE LOCATION OF REVISED INFORMATION.

ALPHABETICAL INDEX

GRID		PAGE	GRID		PAGE
	A			I	
B22	AUGER, CROSS	26	C23	INDICATOR, HEIGHT RANGE	53
	C			K	
B10	CENTER GATHERER POINTS.....	14	B20	KNIFE AND DRIVES, ROTATING.....	24
B12	CENTER GATHERER SHIELDS.....	16	B20	KNIFE, STATIONARY	24
B18	CHAIN, GATHERER	22		L	
B22	CROSS AUGER.....	26	C11	L.H. ROW UNIT DRIVE (SH)	40
	D		C20	LINKAGE,HEIGHT SENSING-AUTO.HDR.HGT.CTL.....	50
C11	DECAL, DRIVE SHAFT	40		M	
C9	DECAL, DRIVE SHAFT (SH).....	38	B3	MAIN FRAME.....	6
C10	DECAL, DRIVE SHAFT (SH).....	39	B5	MAIN FRAME.....	8
D1	DECALS	56	B17	MOUNTING AND FLOAT SPRING	21
B14	DEFLECTORS, ROCK.....	18	C19	MOUNTING AND SENSING SWITCHES	49
C11	DRIVE SHAFT DECAL	40		O	
C9	DRIVE SHAFT DECAL (SH)	38	B7	OUTER GATHERER POINTS	10
C10	DRIVE SHAFT DECAL (SH)	39	B8	OUTER GATHERER SHEETS	11
C12	DRIVE SHAFT, HEADER - SIDEHILL	41	B9	OUTER GATHERER SHIELDS	13
B19	DRIVE, GATHERER CHAIN	23		P	
C3	DRIVE, ROW UNIT	32	B10	POINTS, CENTER GATHERER	14
C7	DRIVE, ROW UNIT	36	B7	POINTS, OUTER GATHERER	10
C15	DRIVE, ROW UNIT	44		R	
C17	DRIVE, ROW UNIT - (R.H. AND L.H.)	46	B14	ROCK DEFLECTORS	18
C13	DRIVE, ROW UNIT, LEFT-HAND	42	B20	ROTATING KNIFE AND DRIVES	24
C9	DRIVE, ROW UNIT, R.H. (SH)	38	C3	ROW UNIT DRIVE.....	32
C10	DRIVE, ROW UNIT, R.H. (SH)	39	C7	ROW UNIT DRIVE.....	36
C1	DRIVE, UNIT, ROW - RIGHT-HAND	30	C15	ROW UNIT DRIVE.....	44
C5	DRIVE, UNIT, ROW - RIGHT-HAND	34	C17	ROW UNIT DRIVE - (R.H. AND L.H.)	46
	E		C1	ROW UNIT DRIVE - RIGHT-HAND	30
B24	EXTENSIONS, FLIGHT (CROSS AUGER).....	29	C5	ROW UNIT DRIVE - RIGHT-HAND	34
	F		B16	ROW UNIT DRIVE MTG.,SHAFT AND COUPLER	20
B24	FLIGHT EXTENSIONS (CROSS AUGER)	29	C13	ROW UNIT DRIVE, LEFT-HAND	42
B17	FLOAT SPRING AND MOUNTING	21	C11	ROW UNIT DRIVE, LEFT-HAND (SH)	40
B13	FRAME AND BRACKETS, ROW UNIT.....	17	C9	ROW UNIT DRIVE, R.H. (SH).....	38
B3	FRAME, MAIN	6	C10	ROW UNIT DRIVE, R.H. (SH).....	39
B5	FRAME, MAIN	8	B13	ROW UNIT FRAME AND BRACKETS	17
	G		C24	ROW-CROP DRIVE SHIELDS	54
B18	GATHERER CHAIN	22		S	
B19	GATHERER CHAIN DRIVE.....	23	C19	SENSING SWITCHES AND MOUNTING	49
B12	GATHERER SHIELDS, CENTER	16	B16	SHAFT AND COUPLER, ROW UNIT DR.MTG.....	20
	H		C12	SHAFT, HEADER DRIVE - SIDEHILL	41
C22	HARNES, WIRING.....	52	B8	SHEETS, OUTER GATHERER	11
C12	HEADER DRIVE SHAFT - SIDEHILL	41	C13	SHIELD, CLUTCH, SLIP	42
C23	HEIGHT RANGE INDICATOR.....	53	B20	SHIELD, KNIFE, ROTATING.....	24
C20	HEIGHT SENSING LINKAGE-AUTO.HDR.HGT.CTL.	50	C13	SHIELD, SHAFT, DRIVE, L.H.	42
			B12	SHIELDS, GATHERER, CENTER.....	16

ALPHABETICAL INDEX - CONTINUED

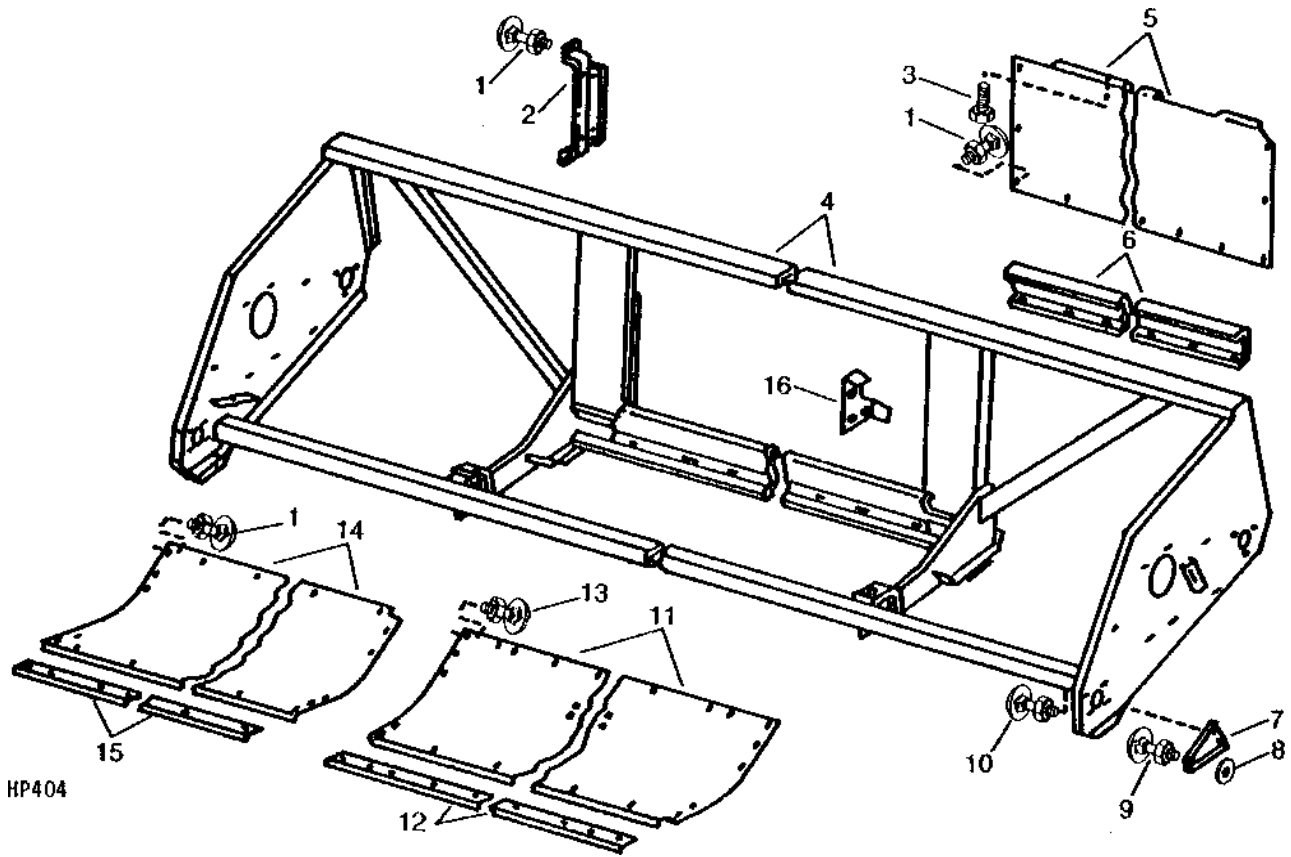
<i>GRID</i>		<i>PAGE</i>	<i>GRID</i>	<i>PAGE</i>
B9	SHIELDS, GATHERER, OUTER	13		
C24	SHIELDS, ROW-CROP DRIVE	54		
B15	SHOES, STUBBLE.....	19		
C12	SIDEHILL - HEADER DRIVE SHAFT	41		
B15	STUBBLE SHOES	19		
C25	SUNFLOWER ATTACHMENT.....	55		
C19	SWITCH, SENSING, AUTO HEIGHT CONTROL.....	49		
W				
C22	WIRING HARNESS	52		

B3

50 SERIES ROW-CROP HEADS

MAIN FRAME
(SERIAL NO. -344700)

HP404 -UN-01JAN94



KEY	PART NO.	PART NAME	QTY	SERIAL NO.	REMARKS
1	03H1540	BOLT	1		5/16" X 3/4"
	N10213	LOCK NUT	1		
2	H88591	SUPPORT	1	-344700	(SUB AH117531)
	AH117531	SUPPORT	1		
3	H65108	SCREW	1		
4	AH90220	FRAME	1	-344700	(SUB AH95424)
	AH95424	FRAME	1		(SUB AH98995) (454)
	AH90222	FRAME	1	-344700	(SUB AH95425)
	AH95425	FRAME	1		(SUB AH98996) (554)
	AH90221	FRAME	1	-344700	(SUB AH95426)
	AH95426	FRAME	1		(SUB AH98997) (653)
	AH95449	FRAME	1		(453) (SUB FOR AH90240)
	AH91787	FRAME	1		(SUB AH95452)
	AH95452	FRAME	1		(SUB AH99000) (853)
	AH93138	FRAME	1		(SUB AH95450)
	AH95450	FRAME	1		(654) (SUB AH98998)
5	H88666	SHEET	1		R.H. (653) (NO LONGER AVAILABLE)
	H88672	SHEET	1		R.H. (554) (NO LONGER AVAILABLE)
	H88667	SHEET	1		L.H. (653) (NO LONGER AVAILABLE)
	H88673	SHEET	1		L.H. (554) (NO LONGER AVAILABLE)
	H88680	SHEET	1		L.H. (454) (NO LONGER AVAILABLE)
	H88679	SHEET	1		R.H. (454) (NO LONGER AVAILABLE)
	H88685	SHEET	1		R.H. (453)
	H111544	SHEET	1		L.H. (453) (SUB FOR H88686)
	H111550	SHEET	1		L.H. (853) (SUB FOR H92196) (SUB H141781)
	H92231	SHEET	1		(SUB H141780) R.H. (853)
	H94134	SHEET	1		(SUB H141778) R.H. (654)
	H111548	SHEET	1		L.H. (654) (SUB FOR H94135) (SUB H141779)

THIS PARTS LISTING IS CONTINUED

B4

50 SERIES ROW-CROP HEADS

MAIN FRAME - CONTINUED
(SERIAL NO. -344700)

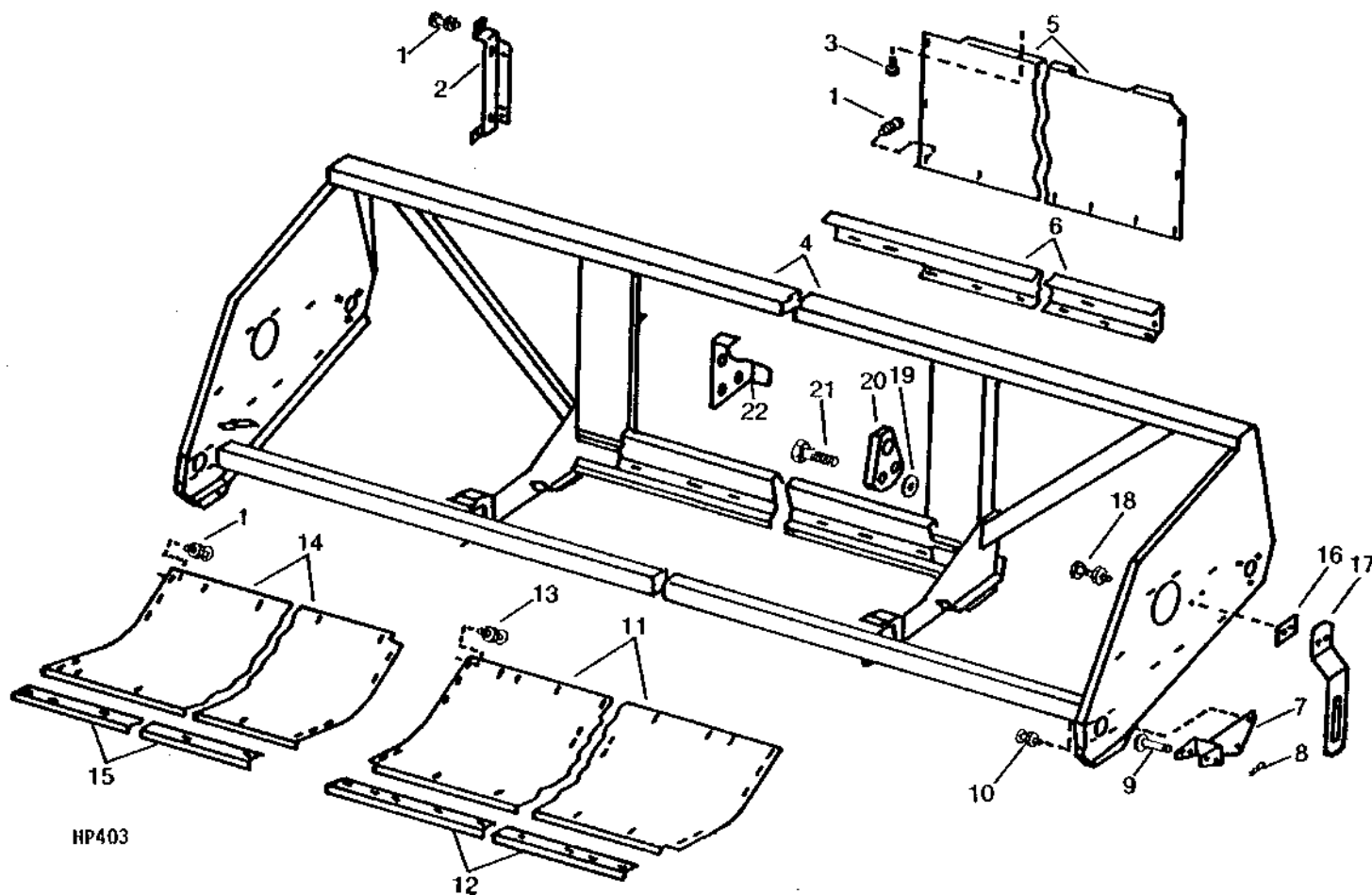
KEY	PART NO.	PART NAME	QTY	SERIAL NO.	REMARKS
6	H88681	STRIPPER	1		R.H. (454) (NO LONGER AVAILABLE)
	H88674	STRIPPER	1		R.H. (554) (NO LONGER AVAILABLE)
	H88668	STRIPPER	1		R.H. (653) (NO LONGER AVAILABLE)
	H88687	STRIPPER	1		(SUB H134194) R.H. (453)
	H92175	STRIPPER	1		(SUB H134198) R.H. (853)
	H94136	STRIPPER	1		(SUB H134196) R.H. (654)
	H88682	STRIPPER	1		L.H. (454) (NO LONGER AVAILABLE)
	H88675	STRIPPER	1		L.H. (554) (NO LONGER AVAILABLE)
	H88669	STRIPPER	1		L.H. (653) (NO LONGER AVAILABLE)
	H88688	STRIPPER	1		(SUB H134195) L.H. (453)
	H92179	STRIPPER	1		(SUB H134199) L.H. (853)
	H94137	STRIPPER	1		(SUB H134197) L.H. (654)
7	H88735	SUPPORT	1		R.H. (SUB AH93540, C1099E AND J16931)
	H88736	SUPPORT	1		L.H. (SUB AH93540, C1099E AND J16931)
	AH93540	SUPPORT	2		
8	24H1305	WASHER	2		13/32" X 13/16" X 0.065"
9	19H1731	CAP SCREW	2	-245700	3/8" X 1"
	12H304	LOCK WASHER	2	-245700	3/8"
10	14H812	NUT	2	-245700	3/8"
	19H1936	CAP SCREW	4		3/8" X 3/4"
	12H304	LOCK WASHER	4		3/8"
	14H812	NUT	4		3/8"
11	H88585	SHEET	1		CENTER (453, 454, 554, 653)
	H91864	SHEET	1		CENTER (654, 853)
12	H88587	REINFORCEMENT	1		CENTER, (453, 454, 554, 653)
	H91863	REINFORCEMENT	1		CENTER, (654, 853)
13	03H1524	BOLT	7		5/16" X 1"
	N10213	LOCK NUT	7		
14	H88683	SHEET	1		R.H. (454) (NO LONGER AVAILABLE)
	H88676	SHEET	1		R.H. (554) (NO LONGER AVAILABLE)
	H88670	SHEET	1		R.H. (653)
	H88684	SHEET	1		L.H. (454) (NO LONGER AVAILABLE)
	H88677	SHEET	1		L.H. (554) (NO LONGER AVAILABLE)
	H88671	SHEET	1		L.H. (653)
	H88689	SHEET	1		R.H. (453)
	H88690	SHEET	1		L.H. (453)
	H92275	SHEET	1		L.H. (853)
	H92279	SHEET	1		R.H. (853)
	H94138	SHEET	1		R.H. (654)
	H94139	SHEET	1		L.H. (654)
15	H88586	REINFORCEMENT	2		(454) (NO LONGER AVAILABLE)
	H88588	REINFORCEMENT	2		(653) (NO LONGER AVAILABLE)
	H88678	REINFORCEMENT	2		(554) (NO LONGER AVAILABLE)
	H88691	REINFORCEMENT	2		(453)
	H92286	REINFORCEMENT	1		L.H. (853)
	H92290	REINFORCEMENT	1		R.H. (853)
	H94140	REINFORCEMENT	1		R.H. (654)
16	H94141	REINFORCEMENT	1		L.H. (654)
	H100090	BRACKET	1	-344700	R.H. (SUB AH134684) (454, 554, 653) (ARC WELDED)
	H100442	BRACKET	1	-344700	L.H. (SUB AH134684) (454, 554, 653) (ARC WELDED)

B5

50 SERIES ROW-CROP HEADS

MAIN FRAME (SERIAL NO. 344701-)

HP403 -UN-01JAN94



KEY	PART NO.	PART NAME	QTY	SERIAL NO.	REMARKS
1	03H1540	BOLT	1		5/16" X 3/4"
	N10213	LOCK NUT	1		
2	H88591	SUPPORT	1	-395000	BACK SHEET, R.H. (SUB AH117531)
	AH117531	SUPPORT	1		BACK SHEET, R.H.
3	H65108	SCREW	1		SELF-TAPPING
4	AH95449	FRAME	1	-390600	(SUB AH98994)
	AH98994	FRAME	1		(453) (NO LONGER AVAILABLE)
	AH95424	FRAME	1	-390600	(SUB AH98995, THIS APPLICATION)
	AH98995	FRAME	1		(454) (NO LONGER AVAILABLE)
	AH95425	FRAME	1	-390600	(SUB AH98996, THIS APPLICATION)
	AH98996	FRAME	1		(554) (NO LONGER AVAILABLE)
	AH95426	FRAME	1	-390600	(SUB AH98997, THIS APPLICATION)
	AH98997	FRAME	1		(653) (NO LONGER AVAILABLE)
	AH95450	FRAME	1	-390600	(SUB AH98998)
	AH98998	FRAME	1		(654) (NO LONGER AVAILABLE)
	AH95452	FRAME	1	-390600	(SUB AH99000)
	AH99000	FRAME	1		(853) (NO LONGER AVAILABLE)
5	H88685	SHEET	1		R.H. (453)
	H96713	SHEET	1		(SUB H141774) R.H. (454)
	H96726	SHEET	1		R.H. (554) (NO LONGER AVAILABLE)
	H96736	SHEET	1		(SUB H141776) R.H. (653)
	H94134	SHEET	1		(SUB H141778) R.H. (654)
	H92231	SHEET	1		(SUB H141780) R.H. (853)
	H111544	SHEET	1		L.H. (453) (SUB FOR H88686)

MAIN FRAME - CONTINUED
 (SERIAL NO. 344701-)

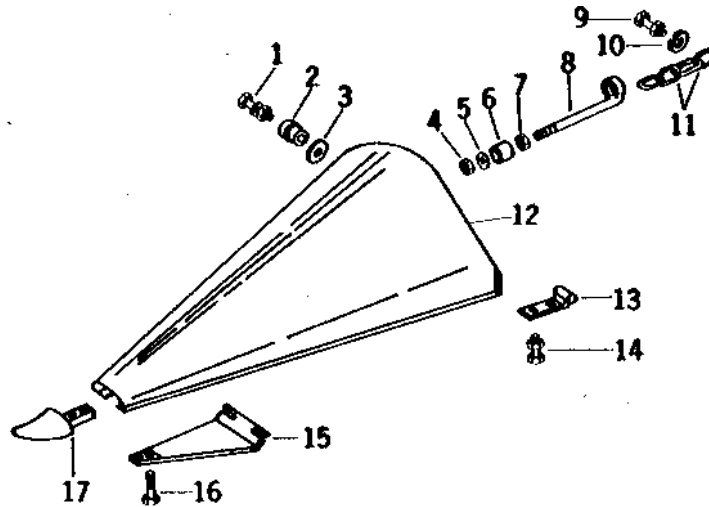
KEY	PART NO.	PART NAME	QTY	SERIAL NO.	REMARKS
5	H111545	SHEET	1		L.H. (454) (SUB FOR H96714) (SUB H141775)
	H96727	SHEET	1	-395000	L.H. (554) (SUB H111546)
	H111546	SHEET	1		L.H. (554) (NO LONGER AVAILABLE)
	H111547	SHEET	1		L.H. (653) (SUB FOR H96737) (SUB H141777)
	H111548	SHEET	1		L.H. (654) (SUB FOR H94135) (SUB H141779)
	H111550	SHEET	1		L.H. (853) (SUB FOR H92196) (SUB H141781)
6	H88687	STRIPPER	1		(SUB H134194) R.H. (453)
	H96710	STRIPPER	1		(SUB H134192) R.H. (454)
	H96724	STRIPPER	1		R.H. (554) (NO LONGER AVAILABLE)
	H96734	STRIPPER	1		(SUB H134194) R.H. (653)
	H94136	STRIPPER	1		(SUB H134196) R.H. (654)
	H92175	STRIPPER	1		(SUB H134198) R.H. (853)
	H88688	STRIPPER	1		(SUB H134195) L.H. (453)
	H96711	STRIPPER	1		(SUB H134193) L.H. (454)
	H96725	STRIPPER	1		L.H. (554) (NO LONGER AVAILABLE)
	H96735	STRIPPER	1		(SUB H134195) L.H. (653)
	H94137	STRIPPER	1		(SUB H134197) L.H. (654)
	H92179	STRIPPER	1		(SUB H134199) L.H. (853)
7	AH93540	SUPPORT	2		
8	J16931	SPRING LOCKING PIN	2		
9	C1099E	PIN	2		DRILLED
10	19H1936	CAP SCREW	4		3/8" X 3/4"
	12H304	LOCK WASHER	4		3/8"
	14H812	NUT	4		3/8"
11	H88585	SHEET	1		CENTER (453)
	H96712	SHEET	1		CENTER (454, 554, 653)
	H91864	SHEET	1		CENTER (654 AND 853)
12	H88587	REINFORCEMENT	1		CENTER (453)
	H96707	REINFORCEMENT	1		CENTER (454, 554, AND 653)
	H91863	REINFORCEMENT	1		CENTER (654 AND 853)
13	03H1524	BOLT	7		5/16" X 1"
	N10213	LOCK NUT	7		
14	H88689	SHEET	1		R.H. (453)
	H96715	SHEET	1		R.H. (454)
	H96728	SHEET	1		R.H. (554) (NO LONGER AVAILABLE)
	H96738	SHEET	1		R.H. (653)
	H94138	SHEET	1		R.H. (654)
	H92279	SHEET	1		R.H. (853)
	H88690	SHEET	1		L.H. (453)
	H96716	SHEET	1		L.H. (454)
	H96729	SHEET	1		L.H. (554) (NO LONGER AVAILABLE)
	H96739	SHEET	1		L.H. (653)
	H94139	SHEET	1		L.H. (654)
	H92275	SHEET	1		L.H. (853)
15	H88691	REINFORCEMENT	2		(453)
	H96708	REINFORCEMENT	1		R.H. (454)
	H96722	REINFORCEMENT	1		R.H. (554) (NO LONGER AVAILABLE)
	H96732	REINFORCEMENT	1		R.H. (653)
	H94140	REINFORCEMENT	1		R.H. (654)
	H92290	REINFORCEMENT	1		R.H. (853)
	H96709	REINFORCEMENT	1		L.H. (454)
	H96723	REINFORCEMENT	1		L.H. (554) (NO LONGER AVAILABLE)
	H96733	REINFORCEMENT	1		L.H. (653)
	H94141	REINFORCEMENT	1		L.H. (654)
	H92286	REINFORCEMENT	1		L.H. (853)
16	H97516	STRAP	AR		(453, 454, 1 USED; 554, 653, 654, AND 853, 2 USED)
17	H96762	STRAP	AR		(453, 454, 2 USED; 554, 653, 654, AND 853, 3 USED)
18	19H1732	CAP SCREW	2		3/8" X 1-1/4"
	E55662	FLANGE NUT	2		
19	24H1825	WASHER	4	390601-	11/16" X 1-1/2" X 0.194"
	12H294	LOCK WASHER	4	390601-	5/8"
	14H1039	NUT	4	390601-	5/8"
20	H91615	PLATE	2	390601-	
21	09H1587	BOLT	4	390601-	5/8" X 2"
22	H100090	BRACKET	1	-390600	R.H. (SUB AH134684) (453, 454, 554, 653, 654, 754, 853) (ARC WELDED)
	H100312	BRACKET	1	-390600	L.H. (SUB AH134685) (454, 554, 653, 654, 754, 853) (ARC WELDED)
	H100442	BRACKET	1	-390600	L.H. (SUB AH134684) (453) (ARC WELDED)

B7

50 SERIES ROW-CROP HEADS

OUTER GATHERER POINTS

H25971 -UN-01JAN94



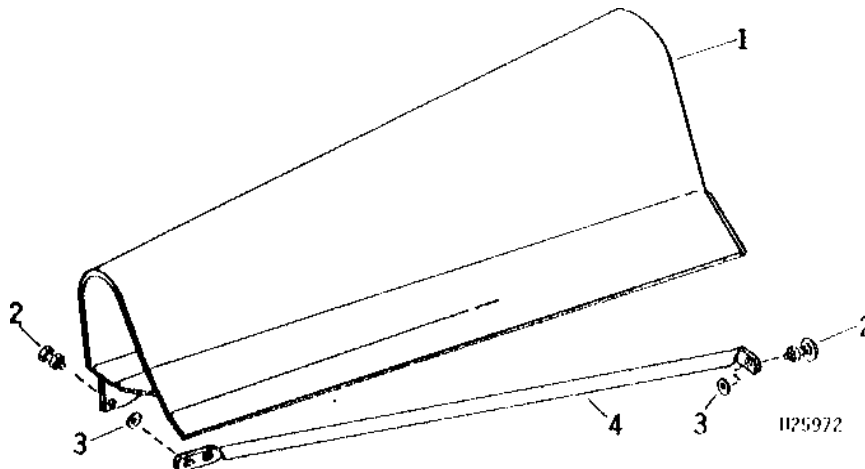
KEY	PART NO.	PART NAME	QTY	SERIAL NO.	REMARKS
1	03H1842	BOLT	2	7/16" X 2"	
	12H293	LOCK WASHER	2	7/16"	
	14H813	NUT	2	7/16"	
2	H88704	BUSHING	1		
3	24H1327	WASHER	1	15/32" X 1-1/8" X 7/64"	
4	C13443	LOCK NUT	2		
5	24H1327	WASHER	2	15/32" X 1-1/8" X 7/64"	
6	28H1519	WASHER	2	0.493" X 0.675" X 3/8"	
7	14H813	NUT	2	7/16"	
8	H89211	HOOK BOLT	2		
9	19H1731	CAP SCREW	2	3/8" X 1"	
	12H304	LOCK WASHER	2	3/8"	
	14H812	NUT	2	3/8"	
10	24H1305	WASHER	2	13/32" X 13/16" X 0.065"	
11	AH90249	LINK CHAIN	2	-395000	(SUB AH102723)
	AH102723	LINK CHAIN	2		40 LINKS
12	AH89835	GATHERER POINT	1	-395000	R.H. (SUB AH109666)
	AH109666	GATHERER POINT	1		
	AH89836	GATHERER POINT	1	-395000	(SUB AH109667)
	AH109667	GATHERER POINT	1		L.H.
13	AN102372	HINGE	1		R.H.
	AN102373	HINGE	1		L.H.
14	N10214	SELF-LOCKING SCREW	4		
	E55662	FLANGE NUT	4		
15	H85104	SKID PLATE	2		
16	N10214	SELF-LOCKING SCREW	4		
17	N103631	SHOE	2		

B8

50 SERIES ROW-CROP HEADS

OUTER GATHERER SHEETS

H25972 -UN-01JAN94



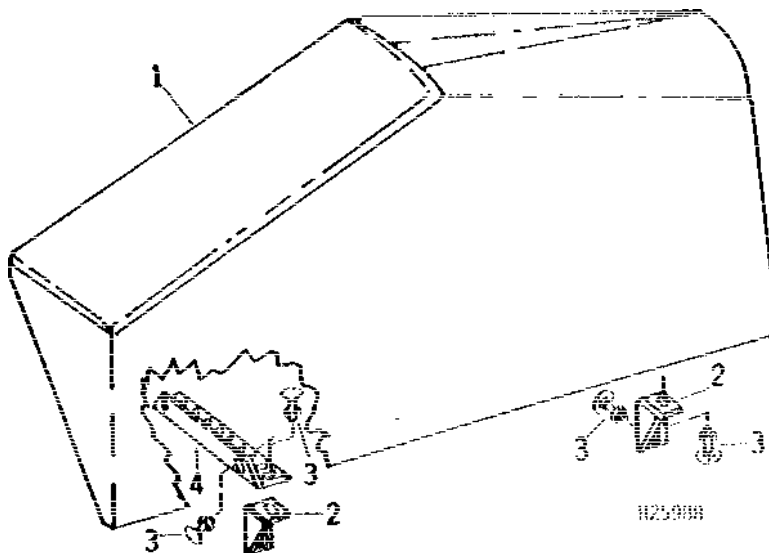
KEY	PART NO.	PART NAME	QTY	SERIAL NO.	REMARKS
1	AH90479	SHIELD	1	-393964	L.H. (SUB AH93727)
	AH93727	SHIELD	1		L.H.
	AH90476	SHIELD	1		R.H.
2	03H1519	BOLT	3		3/8" X 1"
	12H304	LOCK WASHER	3		3/8"
	14H812	NUT	3		3/8"
3	24H1305	WASHER	3		13/32" X 13/16" X 0.065"
4	H88978	BRACE	2	-395000	(SUB AH117530)
	AH117530	BRACE	2		

MEMORANDA

B9

H25988 -UN-01JAN94

OUTER GATHERER SHIELDS



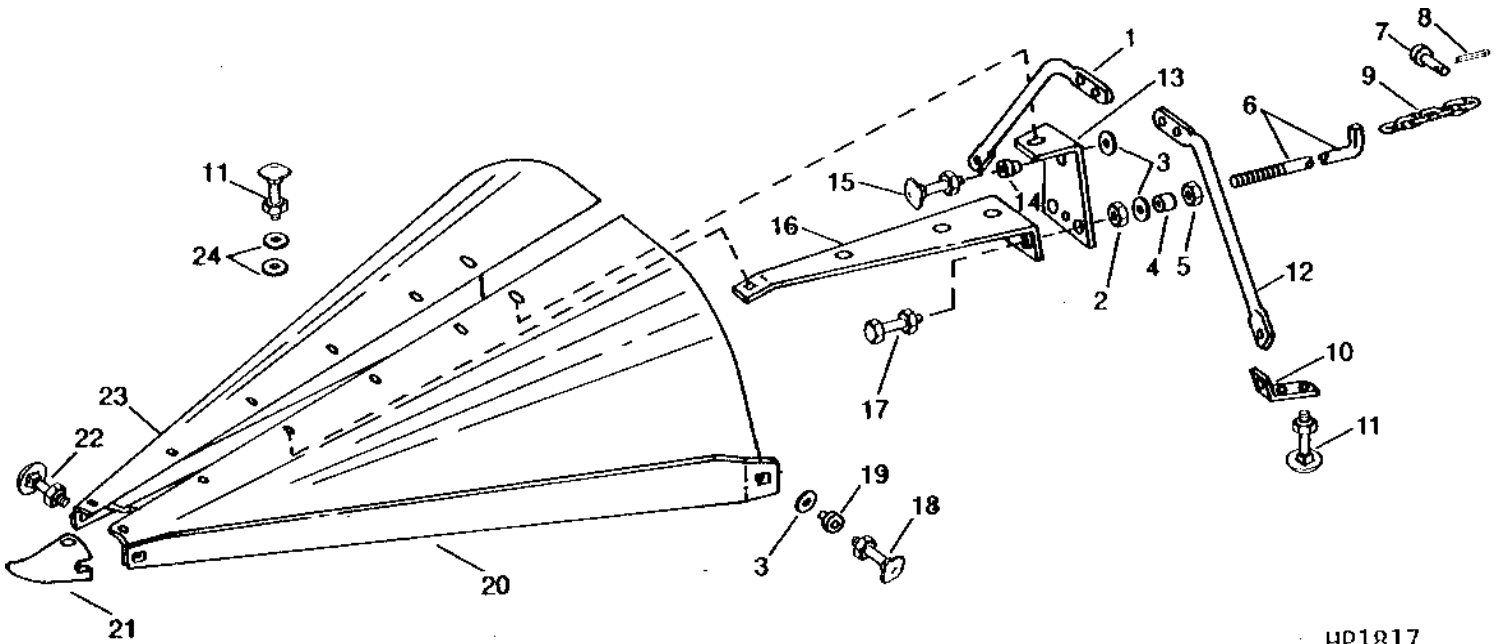
KEY	PART NO.	PART NAME	QTY	SERIAL NO.	REMARKS
1	AH90247	SHIELD	1	-395000	(SUB AH102872)
	AH102872	SHIELD	1		R.H.
	AH90248	SHIELD	1	-247679	L.H. (SUB AH93100)
	AH93100	SHIELD	1	-395000	L.H. (SUB AH102873)
2	AH102873	SHIELD	1		L.H.
	H88717	BRACKET	4		
3	03H1540	BOLT	16		5/16" X 3/4"
	N10213	LOCK NUT	16		
4	H88715	BRACKET	1	-395000	(SUB H140125) R.H.
	H88716	BRACKET	1	-395000	(SUB H140125) L.H.
	H140125	BRACKET	2		

B10

50 SERIES ROW-CROP HEADS

CENTER GATHERER POINTS

HP1817 -UN-01JAN94



HP1817

KEY	PART NO.	PART NAME	QTY	SERIAL NO.	REMARKS
1	H88732	TUBE	1	-247349	R.H. (454,554) (SUB H93355, (2) H93917, 03H2020)
	H93916	TUBE	2		(453, 653, 853)
	H88733	TUBE	1	-393964	R.H. (653) (SUB H93355, (2) H93916, 03H2020)
	H93917	TUBE	2		(454, 554, 654)
2	C13443	LOCK NUT	1		
3	24H1327	WASHER	3		15/32" X 1-1/8" X 7/64"
4	28H1519	WASHER	1		0.493" X 0.675" X 3/8"
5	14H813	NUT	1		7/16"
6	H89211	HOOK BOLT	1		
7	C1099E	PIN	1		DRILLED
8	J16931	SPRING LOCKING PIN	1		
9	AH90249	LINK CHAIN	1	-395000	(SUB AH102723)
	AH102723	LINK CHAIN	1		40 LINKS
10	H88724	BRACE	1		R.H.
	H88725	BRACE	1		L.H.
11	03H1540	BOLT	AR		5/16" X 3/4", (454, 554, 11 USED; 653, 10 USED)
	N10213	LOCK NUT	AR		
12	H88722	TUBE	1	-247349	L.H. (653) (SUB H93355, (2) H93916 AND 03H2020)
	H88731	TUBE	1	-247349	L.H. (454, 554) (SUB H93355, (2) H93917 AND 03H2020)
13	H88723	SUPPORT	1		(453, 653, 853) NO LONGER AVAILABLE
	H88729	SUPPORT	1		(454, 554, 654) NO LONGER AVAILABLE
14	H88734	BUSHING	1	-247349	(SUB H93355)
	H93355	BUSHING	1		
15	03H1495	BOLT	1	-247349	3/8" X 1-1/2"
	03H2020	BOLT	1	247350-	3/8" X 2"
	12H304	LOCK WASHER	1		3/8"
	14H812	NUT	1		3/8"

NOTE: QUANTITIES SHOWN ARE FOR ONE CENTER GATHERER POINT ASSEMBLY.

B11

50 SERIES ROW-CROP HEADS

CENTER GATHERER POINTS - CONTINUED

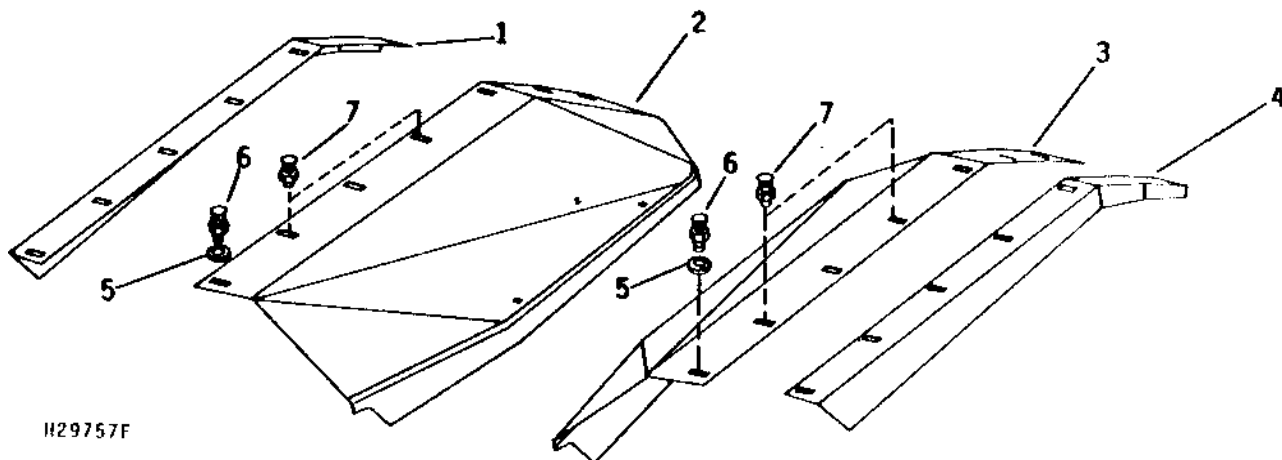
KEY	PART NO.	PART NAME	QTY	SERIAL NO.	REMARKS
16	H88721	REINFORCEMENT	1	(453, 653, 853)	
	H88730	REINFORCEMENT	1	(454, 554, 654)	NO LONGER AVAILABLE
17	19H2284	CAP SCREW	1	3/8" X 7/8"	
	12H304	LOCK WASHER	1	3/8"	
	14H812	NUT	1	3/8"	
18	03H1842	BOLT	2	7/16" X 2"	
	12H293	LOCK WASHER	2	7/16"	
	14H813	NUT	2	7/16"	
19	H88704	BUSHING	2		
20	AH89837	SHEET	1		CENTER, L.H. (454, 554, 654)
	AH89839	SHEET	1		CENTER, L.H. (453, 653, 853)
21	H84480	SHOE	1		
22	03H1519	BOLT	3	3/8" X 1"	
	E55662	FLANGE NUT	3		
23	AH89838	SHEET	1		CENTER, R.H. (454, 554, 654)
	AH89840	SHEET	1		CENTER, R.H. (453, 653, 853)
24	24H1307	WASHER	AR		13/32" X 1" X 1/16", (454, 554, 8 USED; 653, 6 USED)

B12

50 SERIES ROW-CROP HEADS

CENTER GATHERER SHIELDS

H29757F -UN-01JAN94



H29757F

KEY	PART NO.	PART NAME	QTY	SERIAL NO.	REMARKS
1	H88653	ANGLE	1	-294375	(SUB H94692) NO LONGER AVAILABLE
	H94692	SUPPORT	1	-344840	(SUB AH96932) NO LONGER AVAILABLE
	AH96932	BRACKET	1		R.H. (453, 653, AND 853)
	H88655	ANGLE	1	-393964	(SUB H94694)
	H94694	SUPPORT	1	-344840	(SUB AH96934) NO LONGER AVAILABLE
	AH96934	BRACKET	1		R.H. (454, 554, AND 654)
2	AH90234	COVER	1		R.H. (453, 653, AND 853)
	AH90236	COVER	1		R.H. (454, 554, AND 654)
3	AH90235	COVER	1	-294375	(SUB AH93232 AND AH93231)
	AH93232	COVER	1		L.H. (453, 653, AND 853)
	AH90237	COVER	1	-294375	(SUB AH93233 AND AH93231)
	AH93233	COVER	1		L.H. (454, 554, AND 654)
4	H88654	ANGLE	1	-393964	(SUB H94691)
	H94691	SUPPORT	1	-344840	(SUB AH96931)
	AH96931	SUPPORT	1		L.H. (453, 653, AND 853)
	H88656	ANGLE	1	-393964	(SUB H94693)
	H94693	SUPPORT	1	-344840	(SUB AH96933)
	AH96933	SUPPORT	1		L.H. (454, 554, AND 654)
5	24H1307	WASHER	AR		13/32" X 1" X 1/16"
6	03H1765	BOLT	AR		3/8" X 3/4"
	E55662	FLANGE NUT	AR		
7	N10214	SELF-LOCKING SCREW	AR		
	AT34059	NUT	1	-294375	
	H94637	NUT	1	294376-	

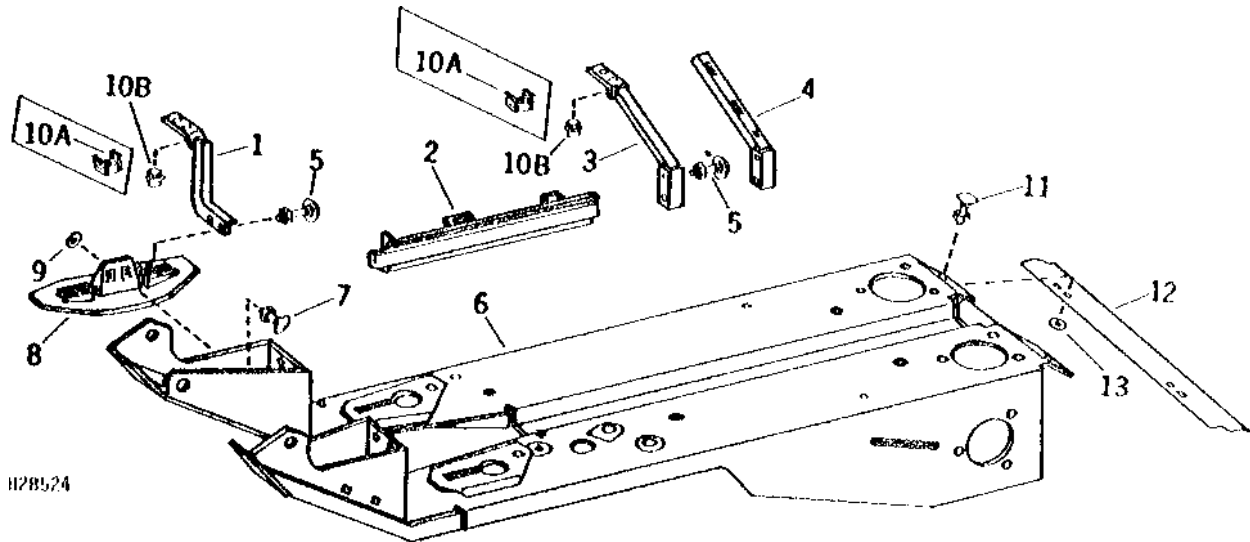
NOTE: QUANTITIES SHOWN ARE FOR ONE CENTER GATHERER SHIELD ASSEMBLY.

B13

50 SERIES ROW-CROP HEADS

ROW UNIT FRAME AND BRACKETS

H28524F -UN-01JAN94



H28524

KEY	PART NO.	PART NAME	QTY	SERIAL NO.	REMARKS
1	AH90241	BRACKET	1	-294375	R.H. (453, 653, 853) (SUB AH93216)
	AH93216	SUPPORT	1		R.H., FRONT (453, 653, 853)
	AH90242	BRACKET	1	-294375	L.H. (453, 653, 853) (SUB AH93217)
	AH93217	SUPPORT	1		L.H., FRONT (453, 653, 853)
	AH90289	BRACKET	1	-294375	R.H. (454, 554, 654) (SUB AH93214)
	AH93214	SUPPORT	1		R.H., FRONT (454, 554, 654) (NO LONGER AVAILABLE)
	AH90290	BRACKET	1	-294375	L.H. (454, 554, 654) (SUB AH93215)
	AH93215	SUPPORT	1		L.H., FRONT (454, 554, 654) (NO LONGER AVAILABLE)
2	AH94158	RAIL	1		R.H. (NO LONGER AVAILABLE)
3	AH90250	BRACKET	1	-393964	R.H. (453, 653, 853) (SUB AH93212)
	AH93212	SUPPORT	1		R.H., REAR (453, 653, 853)
	AH90251	BRACKET	1	-393964	L.H. (453, 653, 853) (SUB AH93213)
	AH93213	SUPPORT	1		L.H., REAR (453, 653, 853)
	AH90291	BRACKET	1	-393964	R.H. (454, 554, 654) (SUB AH93210)
	AH93210	SUPPORT	1		R.H., REAR (454, 554, 654)
	AH90292	BRACKET	1	-393964	L.H. (454, 554, 654) (SUB AH93211)
	AH93211	SUPPORT	1		L.H., REAR, (454, 554, 654) (NO LONGER AVAILABLE)
4	AH90482	BRACKET	1		L.H. NO LONGER AVAILABLE
	AH90483	BRACKET	1		
5	03H1500	BOLT	8		3/8" X 1"
	12H304	LOCK WASHER	8		3/8"
	14H812	NUT	8		3/8"
	AH90217	FRAME	1		NO LONGER AVAILABLE
7	03H1557	BOLT	4		3/8" X 1-1/4"
	12H304	LOCK WASHER	4		3/8"
	14H812	NUT	4		3/8"
	8	AH90238	RUNNER	2	-295425
AH90238		RUNNER	2	-245000	(554)
AH96723		RUNNER	2	-395000	(453, 454, 554, 653, 654, AND 853) (SUB AH102528 AND AH102529)
	AH102528	SKID PLATE	1		R.H. (453, 454, 554, 653, 654, AND 853)
	AH102529	SKID PLATE	1		L.H. (453, 454, 554, 653, 654, AND 853)
9	24H1682	WASHER	4		13/32" X 7/8" X 0.120"
10A	AT34059	NUT	4	-294375	
10B	H94637	NUT	1	294376-	
11	03H1500	BOLT	2		3/8" X 1"
	E55662	FLANGE NUT	2		
12	H88621	SEAL	1		AUGER TROUGH, (453)
	H88622	SEAL	1		AUGER TROUGH, (454)
	H88623	SEAL	1		AUGER TROUGH, (554)
	H88624	SEAL	1		AUGER TROUGH, (653)
	H92331	SEAL	1		AUGER TROUGH, (853)
	H94111	SEAL	1		AUGER TROUGH, (654)
13	24H1312	WASHER	1		13/32" X 1-3/8" X 0.105"

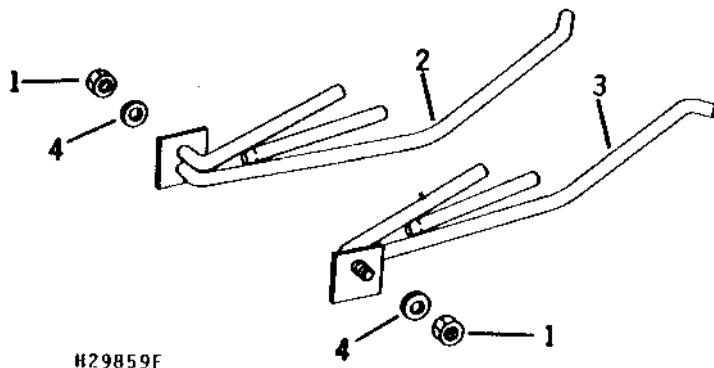
NOTE: QUANTITIES SHOWN ARE FOR 1-ROW ROW-CROP UNIT.

B14

50 SERIES ROW-CROP HEADS

ROCK DEFLECTORS

H29859F -UN-01JAN94



H29859F

KEY	PART NO.	PART NAME	QTY	SERIAL NO.	REMARKS
1	14H812	NUT	2	3/8"	
	12H304	LOCK WASHER	2	3/8"	
2	AH94159	DEFLECTOR	1	R.H.	
3	AH94160	DEFLECTOR	1	L.H.	
4	24H1305	WASHER	2	13/32" X 13/16" X 0.065"	

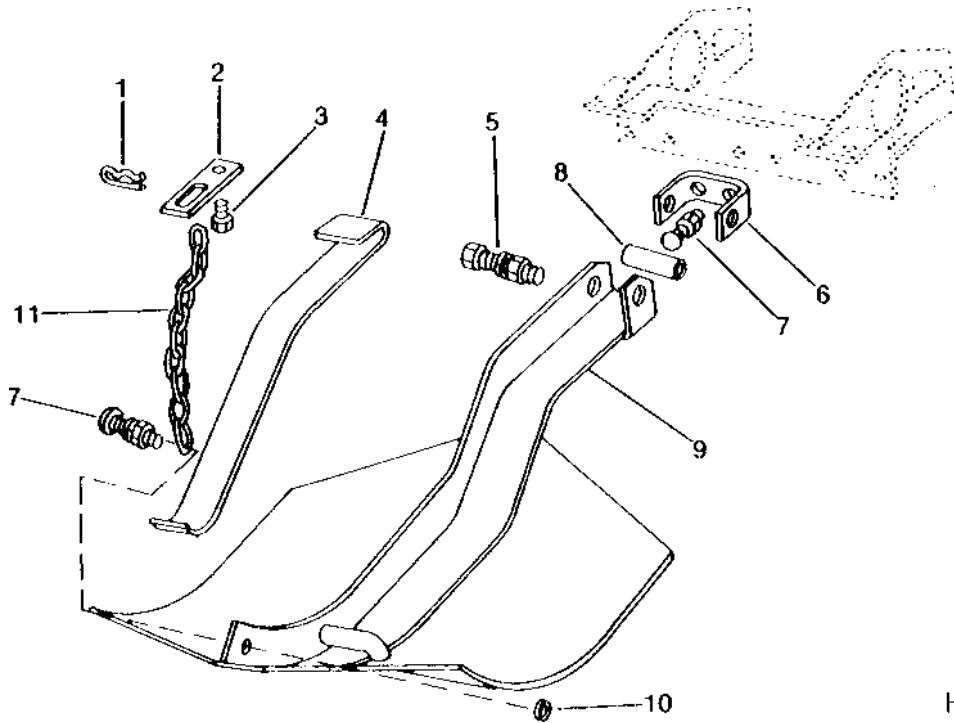
B15

50 SERIES ROW-CROP HEADS

STUBBLE SHOES

HP1454

-UN-01JAN94



HP1454

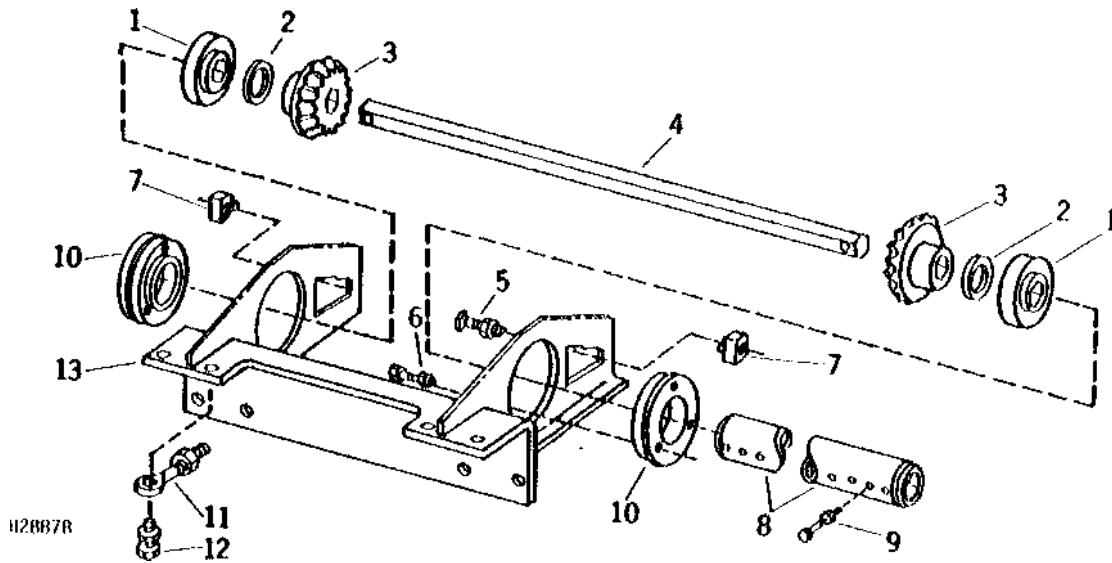
KEY	PART NO.	PART NAME	QTY	SERIAL NO.	REMARKS
1	A3581R	SPRING LOCKING PIN	2		
2	H95476	STRAP	2	-395000	(SUB H113789)
	H113789	SUPPORT	2		
3	19H1905	CAP SCREW	2		5/16" X 1"
	N10213	LOCK NUT	2		
4	H109119	SPRING	2		(SUB FOR H95478)
5	19H1828	CAP SCREW	2		7/16" X 4"
	12H293	LOCK WASHER	2		7/16"
	14H813	NUT	2		7/16"
6	H95475	SUPPORT	2		
7	03H1557	BOLT	6		3/8" X 1-1/4"
	12H304	LOCK WASHER	6		3/8"
	14H812	NUT	6		3/8"
8	28H1535	SPACER	2		3/8" X 2-3/4"
9	AH94725	SKID PLATE	2		
10	24H1237	WASHER	2		25/64" X 7/8" X 0.060"
11	AH94195	LINK CHAIN	2		22 LINKS

B16

50 SERIES ROW-CROP HEADS

ROW UNIT DRIVE MOUNTING, SHAFT, AND COUPLER

H28878F -UN-01JAN94



KEY	PART NO.	PART NAME	QTY	SERIAL NO.	REMARKS
1	JD9313	BALL BEARING	2		
2	24H1477	WASHER	AR	1-5/32" X 1-3/4" X 0.060"	
	24H1476	SHIM	AR	0.025"	
3	N14393	GEAR	2		
4	H88603	BAR	1		
5	03H2113	BOLT	2	1/2" X 2"	
	12H301	LOCK WASHER	2	1/2"	
	14H1040	NUT	2	1/2"	
6	19H1765	CAP SCREW	6	3/8" X 1-3/4"	
	12H304	LOCK WASHER	6	3/8"	
	14H812	NUT	6	3/8"	
7	H88425	STOP	2	-395000	(SUB H113906)
	H113906	STOP	2		
8	AH89630	COUPLING	1	(453, 653, 853)	
	AH89634	COUPLING	1	(454, 554, 654)	
9	19H1944	CAP SCREW	2	3/8" X 2-3/4"	
	BP12233	LOCK NUT	1		
10	H88406	HOUSING	2		
11	H88538	EYEBOLT	2		
	12H294	LOCK WASHER	2	5/8"	
	14H1039	NUT	2	5/8"	
12	19H2076	CAP SCREW	2	5/8" X 5"	
	12H294	LOCK WASHER	2	5/8"	
	14H1039	NUT	2	5/8"	
13	AH90239	SUPPORT	1	-247679	(SUB AH91437)
	AH91437	SUPPORT	1		

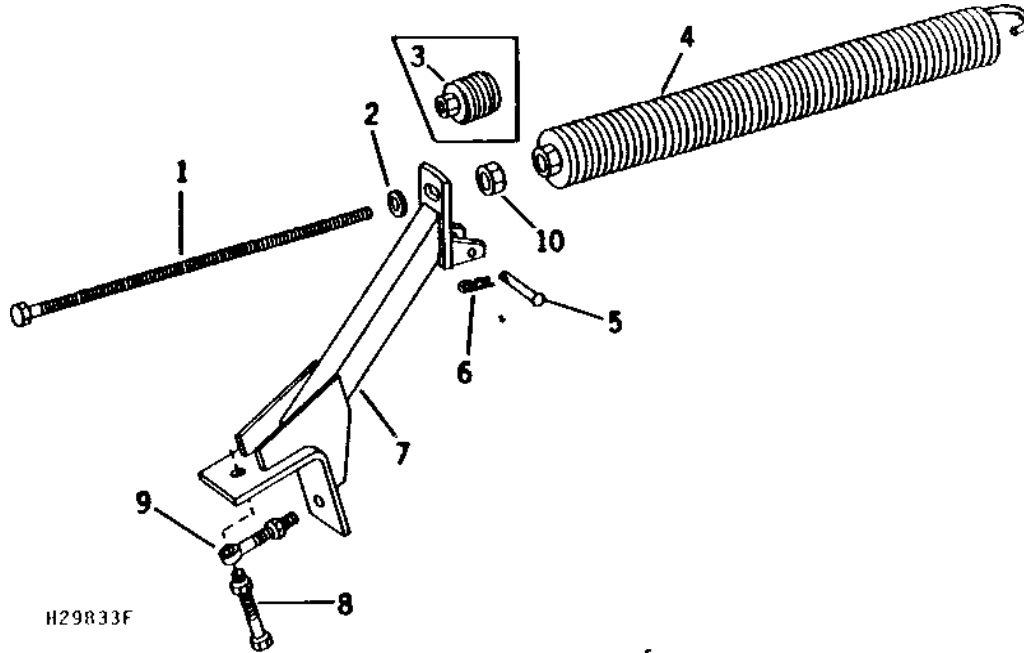
NOTE: QUANTITIES SHOWN ARE FOR 1-ROW ROW-CROP UNIT.

B17

50 SERIES ROW-CROP HEADS

FLOAT SPRING AND MOUNTING

H29833F -UN-01JAN94



KEY	PART NO.	PART NAME	QTY	SERIAL NO.	REMARKS
1	H88700	CAP SCREW	1	-426350	(SUB H102883)
	H102883	BOLT	1		
	H88700	CAP SCREW	1	-426350	(554) (SUB H102883)
2	H102883	BOLT	1		(554)
	24H1371	WASHER	1		21/32" X 1-3/8" X 0.194"
	24H1371	WASHER	1	-245000	21/32" X 1-3/8" X 0.194", (554)
3	B29404	PLUG	1	-246290	(SUB AH89996)
4	H88537	SPRING	1	-246290	(SUB AH89996)
	AH89996	SPRING	1		
	AH89996	SPRING	1	-245000	(554)
5	C1099E	PIN	1		DRILLED
6	J16931	SPRING LOCKING PIN	1		
7	AH90244	SUPPORT	1	344701-	(NO LONGER AVAILABLE)
8	19H2076	CAP SCREW	1		5/8" X 5"
	12H294	LOCK WASHER	1		5/8"
	14H1039	NUT	1		5/8"
9	H88538	EYEBOLT	1	344701-	
	12H294	LOCK WASHER	1		5/8"
	14H1039	NUT	1		5/8"
10	14H821	NUT	1		5/8"

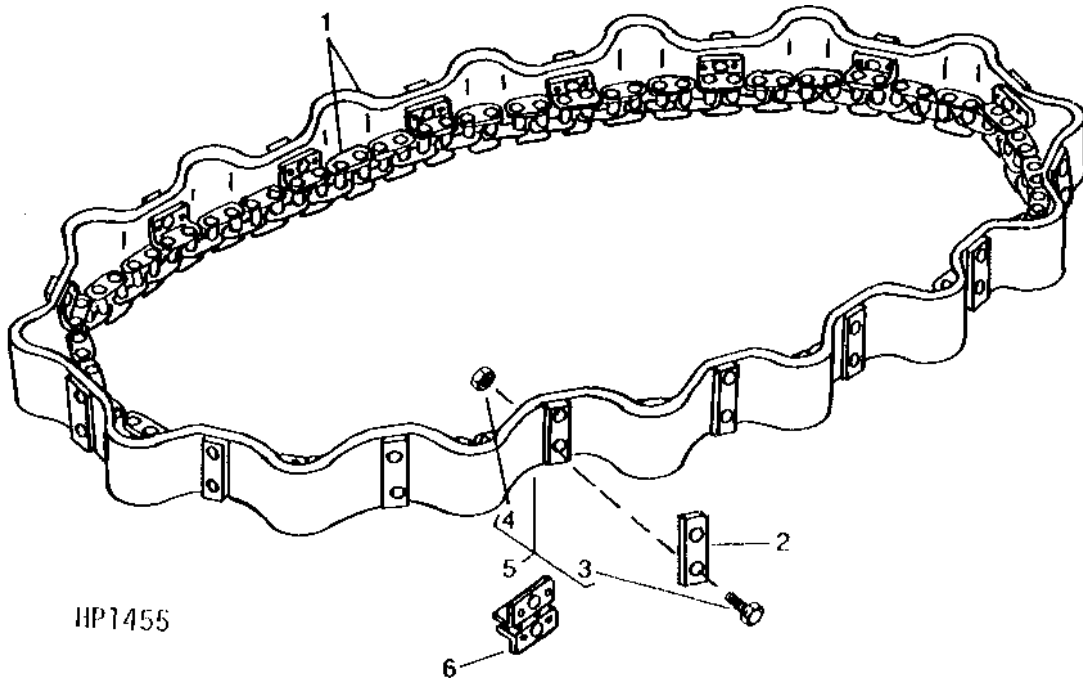
NOTE: QUANTITIES SHOWN ARE FOR 1-ROW ROW-CROP UNIT.

B18

50 SERIES ROW-CROP HEADS

GATHERER CHAIN

HP1455 -UN-01JAN94



HP1455

KEY	PART NO.	PART NAME	QTY	SERIAL NO.	REMARKS
1	AE27079	GATHERER CHAIN	2		
	B5235H	CHAIN LINK	1		COUPLER
2	E34174	STRAP	34		
3	E55780	CAP SCREW	68		
4	E45229	LOCK NUT	68		
5	AE26066	KIT	1		KIT, RUBBER LUG, CONSISTS OF ONE 89.94" RUBBER LUG AND ATTACHING PARTS
6	AE27136	LINK	1		REPAIR

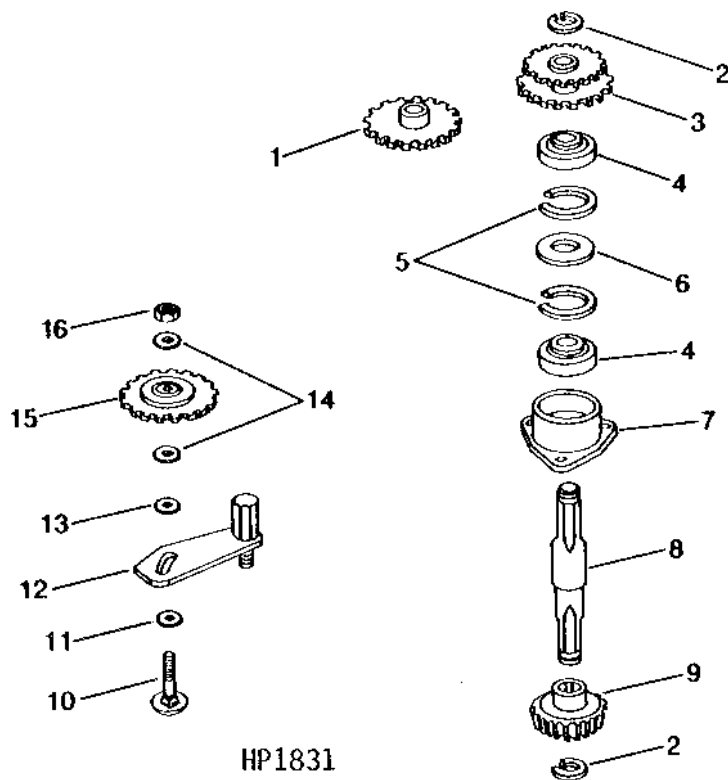
NOTE: QUANTITIES SHOWN ARE FOR 1-ROW ROW-CROP UNIT.

B19

50 SERIES ROW-CROP HEADS

GATHERER CHAIN DRIVE

HP1831 -UN-01JAN94



HP1831

KEY	PART NO.	PART NAME	QTY	SERIAL NO.	REMARKS
1	AH89633	CHAIN SPROCKET	1		17 TEETH, DRIVE, R.H.
2	M40808	SNAP RING	4	-620000	(SUB W23122)
	W23122	SNAP RING	4		
3	AH89631	CHAIN SPROCKET	1		12 TEETH AND 17 TEETH, DRIVE, L.H.
4	JD9238	BALL BEARING	2		L.H. (ROUND BORE)
	JD9338	BALL BEARING	2		R.H. (HEX BORE)
5	P42232	SNAP RING	4		
6	24H1633	WASHER	1		1-17/64" X 1-7/8" X 0.048"
7	H88405	HOUSING	2		
8	H88510	DRIVE SHAFT	1		R.H.
	H88511	DRIVE SHAFT	1		L.H.
9	N14393	GEAR	2		18 TEETH, BEVEL
10	03H1628	BOLT	2		5/8" X 2-1/2"
	12H294	LOCK WASHER	2		5/8"
	24H1660	WASHER	2		57/64" X 1-3/8" X 0.060"
12	AH90296	CAM	2		
13	24H1698	WASHER	2		21/32" X 1-5/8" X 1/4"
14	24H1365	WASHER	4		21/32" X 1" X 0.090"
15	AE32504	CHAIN SPROCKET	2		TIGHTENER
16	14H1039	NUT	2		5/8"
	12H294	LOCK WASHER	2		5/8"

NOTE: QUANTITIES SHOWN ARE FOR 1-ROW ROW-CROP UNIT.

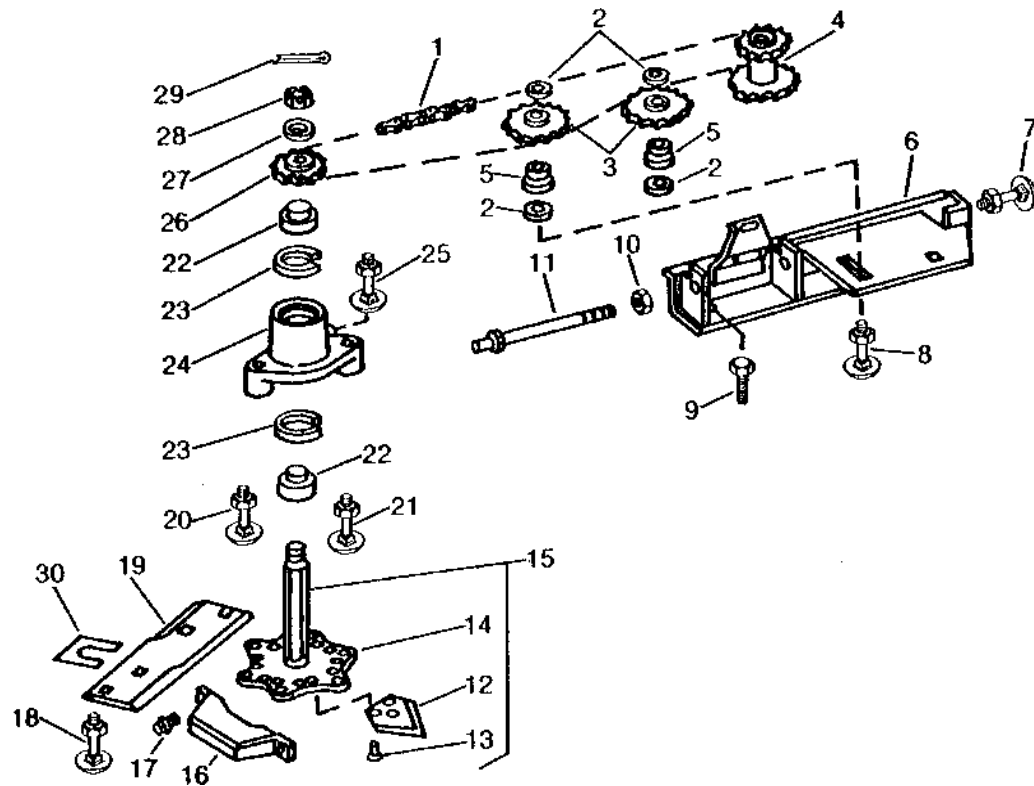
B20

50 SERIES ROW-CROP HEADS

ROTATING KNIFE AND DRIVES

HP566

-UN-01JAN94



HP566

KEY	PART NO.	PART NAME	QTY	SERIAL NO.	REMARKS
1	LINK CHAIN	1		CHAIN, ROLLER, DRIVE, TYPE 60, 3/4" PITCH, 74 LINKS, (ASSEMBLE FROM AB1288H, AB1289H, (2) B5235H AND (2) B5321H)
2	24H1338	WASHER	4	-344700	33/64" X 7/8" X 0.048"
3	AE27909	CHAIN SPROCKET	2		15 TEETH, TIGHTENER
4	AH89631	CHAIN SPROCKET	1		12 TEETH AND 17 TEETH, DRIVE
5	H87121	SPACER	1	-344700	(SUB H97517)
	H97517	BUSHING	1		
6	AH93231	RAIL	1		L.H. NO LONGER AVAILABLE
7	03H1500	BOLT	1		3/8" X 1"
	12H304	LOCK WASHER	1		3/8"
	14H812	NUT	1		3/8"
8	03H2113	BOLT	2		1/2" X 2"
	12H301	LOCK WASHER	2		1/2"
	14H1040	NUT	2		1/2"
9	19H1936	CAP SCREW	2		3/8" X 3/4"
	12H304	LOCK WASHER	2		3/8"
10	14H826	NUT	1		1/2"
11	AH90676	STUD	1	-293975	(SUB 08H4253)
	08H4253	CAP SCREW	1	-294500	1/2" X 8-1/2"
12	H88509	SECTION	6	-426350	(USE WITH H88401)
	H95999	SECTION	6	294501-426350	(SUB H101607)
	H101607	SECTION	6		(USE WITH AH94819)
13	16H686	RIVET	18		1/4" X 7/8"
14	H88401	HUB	1	-294500	(USE WITH H88509)
	AH94819	SHAFT	1		(USE WITH H101607)
15	AH89694	KNIFE	1	-294995	(SUB AH94818)
	AH94818	KNIFE	1		
16	AH90246	SHIELD	1	-344700	(SUB H95938)
	H95938	SHIELD	1		
17	H76139	SCREW	2		SELF-TAPPING
18	N103236	SCREW	1		
	12H308	LOCK WASHER	1		1/2"

NOTE: QUANTITIES SHOWN ARE FOR 1-ROW ROW-CROP UNIT.

B21

50 SERIES ROW-CROP HEADS

ROTATING KNIFE AND DRIVES - CONTINUED

KEY	PART NO.	PART NAME	QTY	SERIAL NO.	REMARKS
19	E10644	STATIONARY KNIFE	1	-390600	(SUB H101275)
	H101606	STATIONARY KNIFE	1	-395000	(SUB FOR H101275) (SUB H121709)
	H121709	KNIFE	1		
20	03H1653	BOLT	1		3/8" X 2-1/4"
	12H304	LOCK WASHER	1		3/8"
	14H812	NUT	1		3/8"
21	10H1237	BOLT	1		1/2" X 2-1/2"
	12H301	LOCK WASHER	1		1/2"
	14H1040	NUT	1		1/2"
22	JD9338	BALL BEARING	2		
23	P42232	SNAP RING	2		
24	H88407	HOUSING	1		
25	09H1588	BOLT	1		1/2" X 1-3/4"
	12H301	LOCK WASHER	1		1/2"
	14H1040	NUT	1		1/2"
26	AH89632	CHAIN SPROCKET	1		12 TEETH, DRIVE
27	24H1393	WASHER	1		25/32" X 1-3/8" X 0.180"
28	J13155	NUT	1		
29	11H218	COTTER PIN	1		3/16" X 1-1/2"
30	H100293	STRAP	1	345376-	

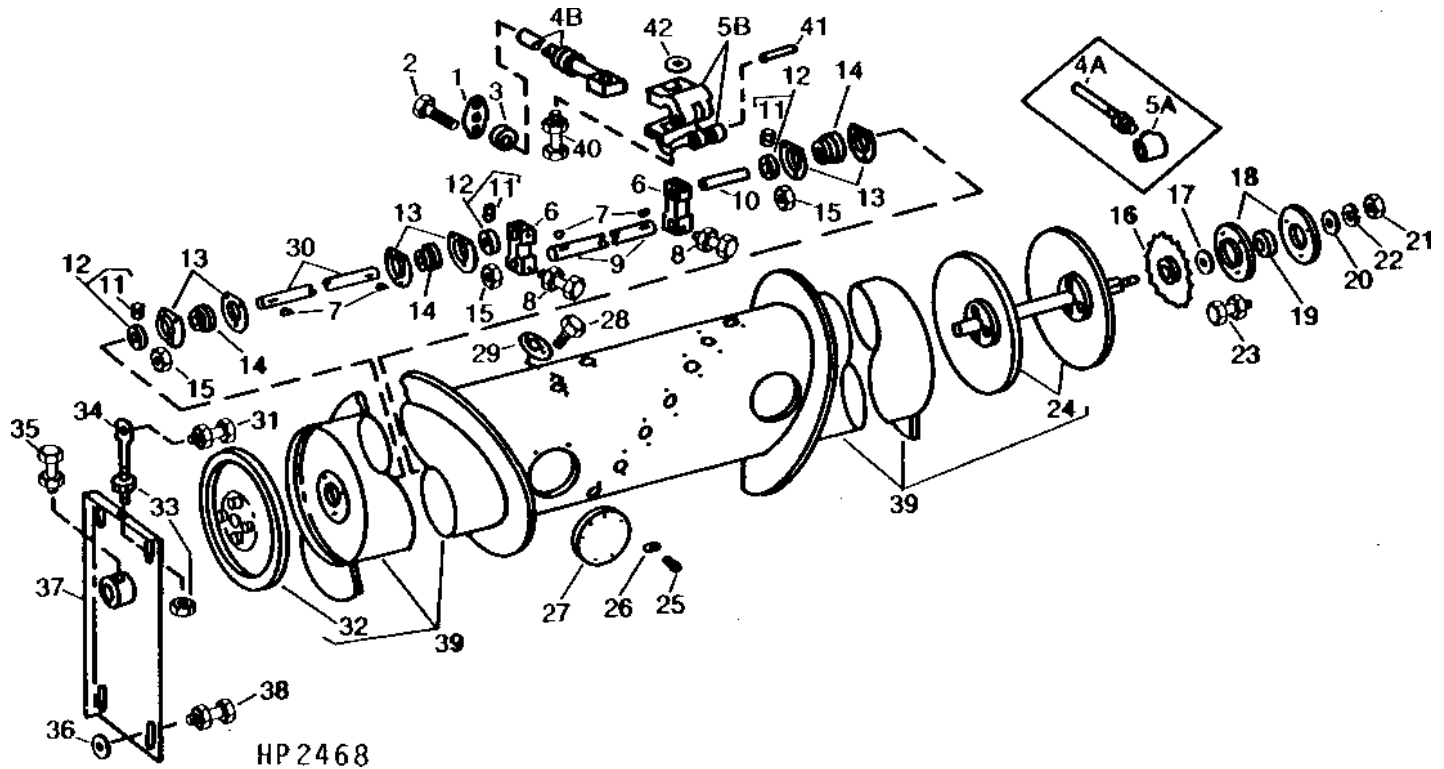
NOTE: QUANTITIES SHOWN ARE FOR 1-ROW ROW-CROP UNIT.

B22

50 SERIES ROW-CROP HEADS

HP2468 -UN-01JAN94

CROSS AUGER



KEY	PART NO.	PART NAME	QTY	SERIAL NO.	REMARKS
1	H87192	CAP	AR		(12 USED-453, 454, 554, 653, 654; 18 USED-853)
2	H86918	SCREW	AR		(24 USED-453, 454, 554, 653, 654; 36 USED-853)
3	H87044	GUIDE	AR		(12 USED-453, 454, 554, 653, 654; 18 USED-853)
4A	H87069	FINGER	AR	-426350	(12 USED-453, 454, 554, 653, 654; 18 USED-853)
4B	H102724	FINGER	AR		(12 USED-453, 454, 554, 653, 654; 18 USED-853)
5A	AH87944	BEARING	AR	-426350	(12 USED-453, 454, 554, 653, 654; 18 USED-853) (SUB AH107066 AND H102724)
5B	AH107066	BEARING	1		
6	H89701	CRANK	2		(453,-610000;454A,-610200;653A,-610300; 654,-610400; 655,-610000;853,-610500; 854,-610550) (SUB H118913)
7	H118913	CRANK	2		
	26H14	SHAFT KEY	3	-395000	3/16" X 3/4"
	26H77	SHAFT KEY	3		3/16" X 3/4"
8	19H1726	CAP SCREW	4		3/8" X 2-1/4"
	H86656	LOCK NUT	4	-395000	
	E50102	LOCK NUT	4		
9	H87257	SHAFT	1		R.H.
10	H87258	SHAFT	1		
11	22H897	SET SCREW	3		1/4" X 1/4"
12	JD8551	ECCENTRIC LOCKING COLLAR	3		
13	P45502	PRESSED FLANGED HOUSING	6		
14	JD8552	BALL BEARING	3		
15	E55662	FLANGE NUT	9		
16	AH89638	CHAIN SPROCKET	1		60 TEETH, DRIVE
17	24H1513	WASHER	2		1-13/32" X 2" X 0.060"
18	C3994E	PRESSED FLANGED HOUSING	2	-395000	
	H103265	PRESSED FLANGED HOUSING	2		
19	AN102010	BEARING	1		
20	24H1399	WASHER	1		25/32" X 1-5/8" X 0.180"
21	14H794	NUT	1		3/4"
22	12H236	LOCK WASHER	1		3/4"
23	03H1765	BOLT	3		3/8" X 3/4"
	E55662	FLANGE NUT	3		

CROSS AUGER--CONTINUED

KEY	PART NO.	PART NAME	QTY	SERIAL NO.	REMARKS
24	AH90223	DRIVER	1	-640100	
	AH132334	DRIVER	1	635101-	
25	19H1919	CAP SCREW	4		1/4" X 5/8"
26	P41706	NUT	4		SPEED
27	H87184	COVER	2		
28	H86918	SCREW	12		(554, 653, 654)
29	H87193	COVER	6		(554, 653, 654)
30	H88530	SHAFT	1	-395000	(SUB H101760)
	H101760	SHAFT	1		L.H. (454)
	H101761	SHAFT	1		L.H. (554) (SUB FOR H88531) (NO LONGER AVAILABLE)
	H88532	SHAFT	1	-395000	L.H. (653) (SUB H101762)
	H101762	SHAFT	1		L.H. (653)
	H101759	SHAFT	1		L.H. (453) (SUB FOR H88534)
	H92500	SHAFT	1	-395000	(SUB H101763)
	H101763	SHAFT	1		L.H. (654)
	H92502	SHAFT	1	-395000	(SUB H101764)
	H101764	SHAFT	1		L.H. (853)
31	03H1499	BOLT	1		1/2" X 1-1/2"
	12H301	LOCK WASHER	1		1/2"
	14H1040	NUT	1		1/2"
32	AH88522	HUB	3	-395000	L.H. (SUB AH124929)
	AH124929	CYLINDER HEAD	3		
33	14H1040	NUT	2		1/2"
34	H75371	EYEBOLT	1		
35	22H817	SET SCREW	2		3/8" X 3/4"
	14H732	NUT	2		3/8"
36	24H1305	WASHER	4		13/32" X 13/16" X 0.065"
37	AH90207	BRACKET	1		L.H.
38	03H1500	BOLT	4		3/8" X 1"
	12H304	LOCK WASHER	4		3/8"
	14H812	NUT	4		3/8"
39	AH90224	AUGER	1	-393964	(453) (SUB AH101458) NO LONGER AVAILABLE
	AH101458	AUGER	1	-395000	(453) (SUB AH111312) NO LONGER AVAILABLE
	AH111312	AUGER	1		(453)
	AH90227	AUGER	1	-391010	(454) (SUB AH101459)
	AH101459	AUGER	1		(454)
	AH90229	AUGER	1	-247679	(SUB AH93004)
	AH93004	AUGER	1	-393964	(554) (SUB AH101460)
	AH101460	AUGER	1		(554) NO LONGER AVAILABLE
	AH90231	AUGER	1	-393594	(653) (SUB AH101461)
	AH101461	AUGER	1	-395000	(653) (SUB AH111314)
	AH111314	AUGER	1	-395000	(653) (SUB AH136620)
	AH93006	AUGER	1	-345375	(SUB AH98810)
	AH98810	AUGER	1	-393964	(853) (SUB AH101464)
	AH101464	AUGER	1		(853)
	AH93132	AUGER	1	-390638	(654) (SUB AH101462)
	AH101462	AUGER	1		(654)
40	19H1875	CAP SCREW	AR	426351-	5/16" X 1-3/4"
	T16464	LOCK NUT	AR	426351-	
41	34H318	SPRING PIN	AR	426351-	1/4" X 1-7/8", (12 USED-453, 454, 554, 653, 654; 18 USED-853)
42	24H1685	WASHER	2	426351-	11/32" X 47/64" X 0.083"

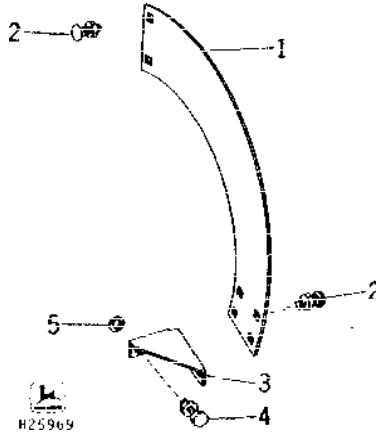
MEMORANDA

B24

50 SERIES ROW-CROP HEADS

H25969 -UN-01JAN94

FLIGHT EXTENSIONS (CROSS AUGER)

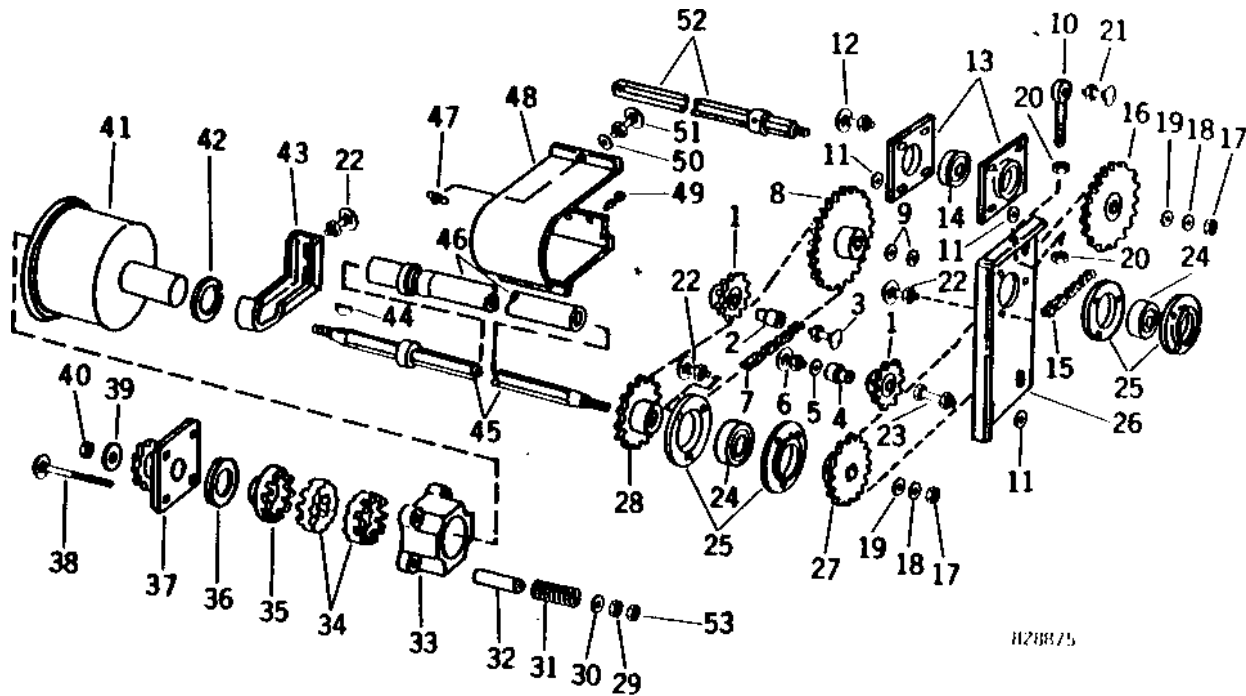


KEY	PART NO.	PART NAME	QTY	SERIAL NO.	REMARKS
1	H87944	EXTENSION	1	-395000	R.H. (SUB H111902)
	H111902	EXTENSION	1	-395000	R.H.
	H130934	EXTENSION	1		R.H.
H87945	H87945	EXTENSION	1	-395000	L.H. (SUB H111903)
	H111903	EXTENSION	1	-395000	L.H.
	H130935	EXTENSION	1		L.H.
2	03H1540	BOLT	8		5/16" X 3/4"
	12H303	LOCK WASHER	8		5/16"
	14H785	NUT	8		5/16"
3	H87946	CLIP	1	-395000	L.H. (SUB H111905)
	H111905	GUSSET	1		L.H.
	H87947	CLIP	1	-395000	R.H. (SUB H111904)
	H111904	GUSSET	1		R.H.
4	19H2284	CAP SCREW	4		3/8" X 7/8"
	12H304	LOCK WASHER	4		3/8"
	14H812	NUT	4		3/8"
5	24H1308	WASHER	4		13/32" X 1" X 0.134"

C1

ROW UNIT DRIVE - RIGHT-HAND
(454 SERIAL NO. 198001-344700)
(453 SERIAL NO. 245001-)

H28875F -UN-01JAN94



H28875

KEY	PART NO.	PART NAME	QTY	SERIAL NO.	REMARKS
1	AE27909	CHAIN SPROCKET	2		TIGHTENER
2	H87121	SPACER	1	-344700	(453) (SUB H97517)
	H97517	BUSHING	3		(453)
3	03H2113	BOLT	1		1/2" X 2"
	12H301	LOCK WASHER	1		1/2"
	14H1040	NUT	1		1/2"
4	H88704	BUSHING	1	-344700	(453) (SUB H97518)
	H97518	BUSHING	1	-395000	(453) (SUB H114641)
	H114641	SPACER	1		
5	24H1850	WASHER	1		17/32" X 1-1/4" X 0.180"
6	03H2203	BOLT	1		1/2" X 2-1/4"
	12H301	LOCK WASHER	1		1/2"
	14H1040	NUT	1		1/2"
7	LINK CHAIN	1		CHAIN, ROLLER, DRIVE, TYPE 60, 3/4" PITCH, 99 LINKS, (ASSEMBLE FROM AB1288H, AB1289H, (2) AB1290H, B5235H AND (3) B5321H)
8	AH89638	CHAIN SPROCKET	1		60 TEETH, DRIVE
9	24H1513	WASHER	2		1-13/32" X 2" X 0.060"
10	H75371	EYEBOLT	1		
11	24H1305	WASHER	12		13/32" X 13/16" X 0.065"
12	19H218	CAP SCREW	4	-245700	3/8" X 1"
	19H1731	CAP SCREW	4	245701-	3/8" X 1"
	12H304	LOCK WASHER	4		3/8"
	14H812	NUT	4		3/8"
13	N14247	PRESSED FLANGED HOUSING	2		
14	JD9313	BALL BEARING	1		
15	LINK CHAIN	1	-247349	CHAIN, ROLLER, DRIVE, TYPE 60, 3/4" PITCH, 132 LINKS, (ASSEMBLE FROM (2) AB1288H, AB1289H, (3) B5234H, (2) B5235H AND (2) B5321H)
.....	LINK CHAIN	1	247350-	CHAIN, ROLLER, DRIVE, TYPE 60, 3/4" PITCH, 130 LINKS, (ASSEMBLE FROM (2) AB1288H, AB1289H, (3) B5234H AND (2) B5235H)
16	AH89635	CHAIN SPROCKET	1		30 TEETH, DRIVE
17	14H794	NUT	2		3/4"
18	12H236	LOCK WASHER	2		3/4"
19	24H1399	WASHER	2		25/32" X 1-5/8" X 0.180"
20	14H1040	NUT	2		1/2"
21	03H1499	BOLT	1		1/2" X 1-1/2"
	12H301	LOCK WASHER	1		1/2"
	14H1040	NUT	1		1/2"

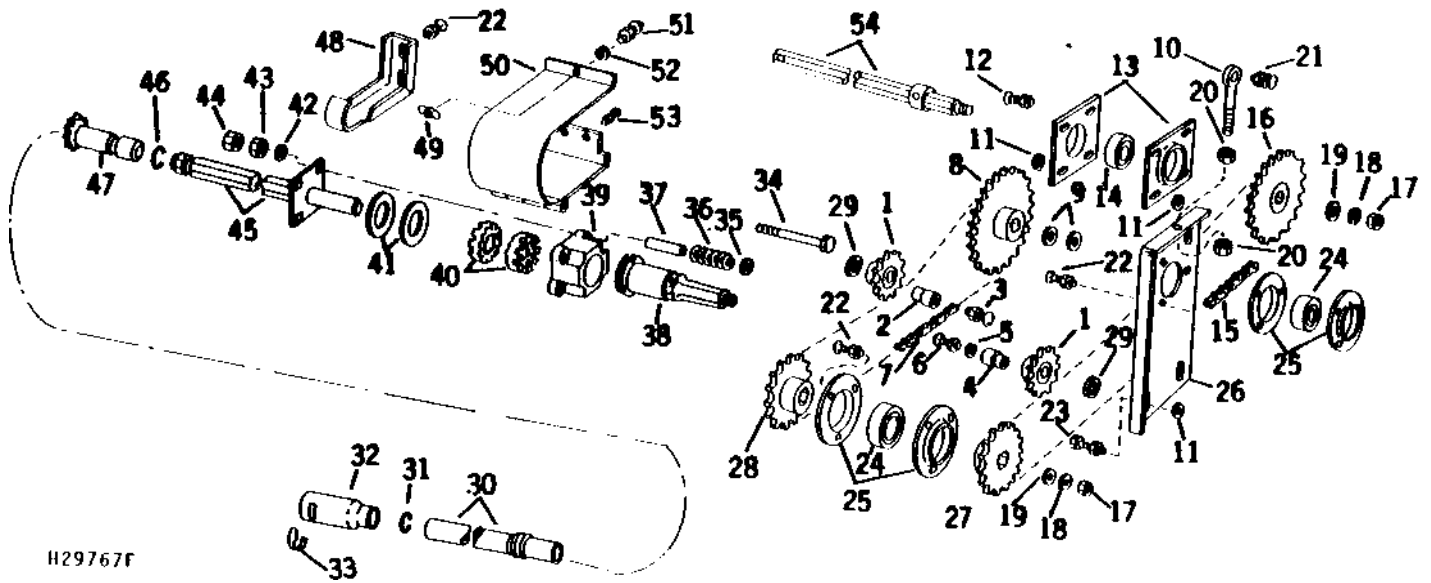
THIS PARTS LISTING IS CONTINUED

ROW UNIT DRIVE - RIGHT-HAND - CONTINUED
 (454 SERIAL NO. 198001-344700)
 (453 SERIAL NO. 245001-)

KEY	PART NO.	PART NAME	QTY	SERIAL NO.	REMARKS
22	03H1765	BOLT	8		3/8" X 3/4"
	E55662	FLANGE NUT	8		
23	03H1500	BOLT	4		3/8" X 1"
	12H304	LOCK WASHER	4		3/8"
	14H812	NUT	4		3/8"
24	AN102010	BEARING	2		
25	C3994E	PRESSED FLANGED HOUSING	4	-395000	
	H103265	PRESSED FLANGED HOUSING	4		
26	H88594	BRACKET	1		
27	AH89636	CHAIN SPROCKET	1	-247349	18 TEETH, DRIVE
	AH89637	CHAIN SPROCKET	1	247350-	13 TEETH, DRIVE
28	AH89637	CHAIN SPROCKET	1		13 TEETH, DRIVE
29	14H812	NUT	8	-294500	3/8"
30	24H1653	WASHER	4		13/32" X 1-1/4" X 0.120"
31	B10608	SPRING	2	-294995	(SUB (2) H77433, THIS APPLICATION)
	H77433	SPRING	2		
32	H87206	SPACER	4	-294500	(SUB (4) H88426, (4) E50102 AND (4) 03H1759)
	H88426	BUSHING	4		
33	N100101	RETAINER	1		SLIP CLUTCH
34	Z699H	SLIP CLUTCH	2		
35	H88414	LOCKING COLLAR	1		CLUTCH
36	E45875	SHIM	3		
37	AH87953	DRIVER	1	-395000	SLIP CLUTCH, (SUB H143581)
	H143581	DRIVER	1		
38	03H2040	BOLT	4	-294500	3/8" X 4-1/4"
	03H1759	BOLT	4	294501-	3/8" X 4-1/2"
39	C2214E	WASHER	1		
40	14H904	NUT	1		3/4"
41	AH88540	SHIELD	1		SLIP CLUTCH, (454)
42	H87059	SNAP RING	1		(454)
43	H87993	SUPPORT	1		(454)
44	26H82	SHAFT KEY	1		1/4" X 7/8"
45	AH89801	SHAFT	1		(454)
	AH89805	SHAFT	1	245001-	(453)
46	AH90210	SHIELD	1		(454) NO LONGER AVAILABLE
47	14H819	WING NUT	1	245001-	5/16"
48	AH93056	SHIELD	1	245001-	(453) (SUB AH96234)
	AH96234	SHIELD	1		(453)
49	03H1540	BOLT	2	245001-	5/16" X 3/4"
	N10213	LOCK NUT	2	245001-	
50	24H1226	WASHER	1	245001-	1/2" X 1-1/4" X 0.083"
51	03H1709	BOLT	1	245001-	5/16" X 1"
	N10213	LOCK NUT	1	245001-	
52	AH89804	SHAFT	1		OUTER
53	E50102	LOCK NUT	4	294501-	

ROW UNIT DRIVE - RIGHT-HAND
(454 SERIAL NO. 344701-)

H29767F -UN-01JAN94



KEY	PART NO.	PART NAME	QTY	SERIAL NO.	REMARKS
1	AE27909	CHAIN SPROCKET	2		TIGHTENER
2	H97517	BUSHING	3		
3	03H1503	BOLT	1		1/2" X 2-1/2"
	12H301	LOCK WASHER	1		1/2"
	14H1040	NUT	1		1/2"
4	H97518	BUSHING	2	-395000	(SUB H114641)
	H114641	SPACER	1		
5	24H1850	WASHER	1		17/32" X 1-1/4" X 0.180"
6	03H2114	BOLT	1		1/2" X 2-3/4"
	12H301	LOCK WASHER	1		1/2"
	14H1040	NUT	1		1/2"
7	LINK CHAIN	1		CHAIN, ROLLER, DRIVE, TYPE 60, 3/4" PITCH, 99 LINKS, (ASSEMBLE FROM AB1288H, (2) AB1290H, B5235H AND (3) B5321H)
8	AH89638	CHAIN SPROCKET	1		60 TEETH, DRIVE
9	24H1513	WASHER	2		1-13/32" X 2" X 0.060"
10	H75371	EYEBOLT	1		
11	24H1305	WASHER	12		13/32" X 13/16" X 0.065"
12	19H1731	CAP SCREW	4		3/8" X 1"
	12H304	LOCK WASHER	4		3/8"
	14H812	NUT	4		3/8"
13	N14247	PRESSED FLANGED HOUSING	2		
14	JD9313	BALL BEARING	1		
15	LINK CHAIN	1		CHAIN, ROLLER, DRIVE, TYPE 60, 3/4" PITCH, 130 LINKS, (ASSEMBLE FROM (2) AB1288H, AB1289H, (3) B5234H AND (2) B5235H)
16	AH89635	CHAIN SPROCKET	1		30 TEETH, DRIVE
17	14H794	NUT	2		3/4"
18	12H236	LOCK WASHER	2		3/4"
19	24H1399	WASHER	2		25/32" X 1-5/8" X 0.180"
20	14H1040	NUT	2		1/2"
21	03H1499	BOLT	1		1/2" X 1-1/2"
	12H301	LOCK WASHER	1		1/2"
	14H1040	NUT	1		1/2"
22	03H1765	BOLT	8		3/8" X 3/4"
	E55662	FLANGE NUT	8		

THIS PARTS LISTING IS CONTINUED

C4

50 SERIES ROW-CROP HEADS

ROW UNIT DRIVE - RIGHT-HAND -- CONTINUED
(454 SERIAL NO. 344701-)

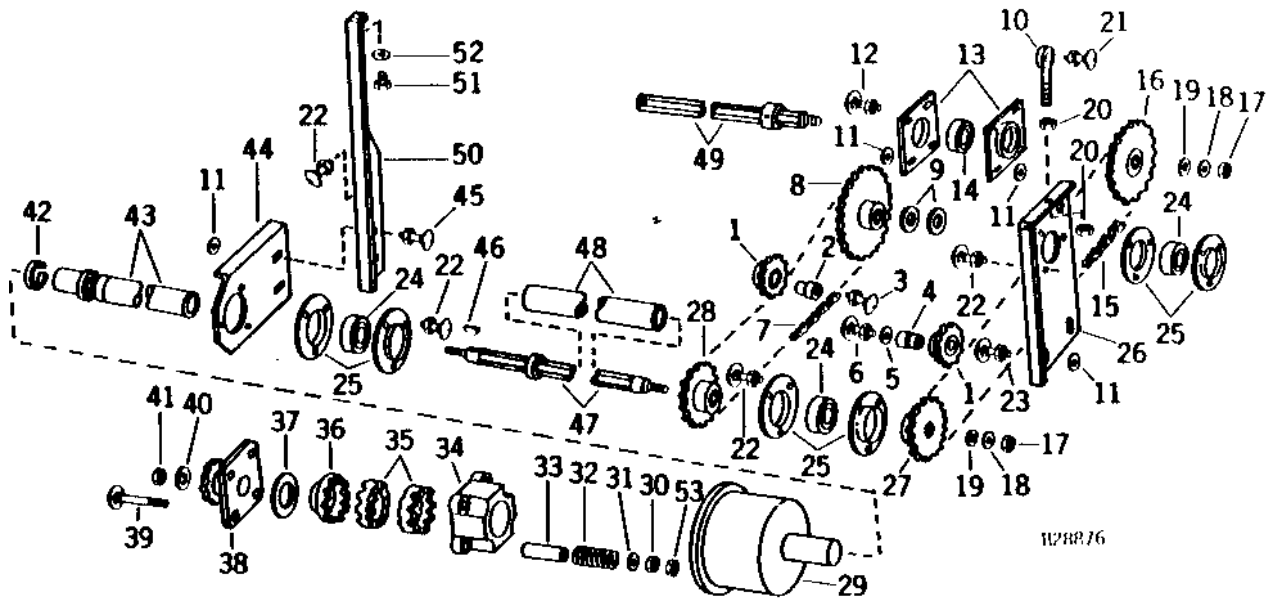
KEY	PART NO.	PART NAME	QTY	SERIAL NO.	REMARKS
23	03H1500	BOLT	4		3/8" X 1"
	12H304	LOCK WASHER	4		3/8"
	14H812	NUT	4		3/8"
24	AN102010	BEARING	2		
25	C3994E	PRESSED FLANGED HOUSING	4	-395000	
	H103265	PRESSED FLANGED HOUSING	4		
26	H88594	BRACKET	1		
27	AH89637	CHAIN SPROCKET	1		13 TEETH, DRIVE
28	AH89648	CHAIN SPROCKET	1		13 TEETH, DRIVE
29	24H1111	WASHER	4		17/32" X 1-1/16" X 0.090"
30	H96705	SHIELD	1		R.H. NO LONGER AVAILABLE
31	P50419	SNAP RING	1		
32	H93439	SHIELD	1		
33	H22039	UNIVERSAL JOINT BEARING	1	-395000	(SUB E62951)
	E62951	UNIVERSAL JOINT BEARING	1		
34	19H2700	CAP SCREW	4		3/8" X 4-1/2"
35	24H1653	WASHER	4		13/32" X 1-1/4" X 0.120"
36	H77433	SPRING	2		
37	H88426	BUSHING	4		
38	H93956	SHAFT	1	-345375	(SUB AH93941)
	AH93941	SHAFT	1		SLIP CLUTCH
39	N100101	RETAINER	1		SLIP CLUTCH
40	Z699H	SLIP CLUTCH	2		
41	H95034	WASHER	2		
42	24H1682	WASHER	4		13/32" X 7/8" X 0.120"
43	14H812	NUT	1		3/8"
44	E50102	LOCK NUT	4		
45	AH95430	SHAFT	1		
46	H80926	SNAP RING	1		
47	AH91784	CHAIN SPROCKET	1		
48	H87993	SUPPORT	1		
49	14H819	WING NUT	1		5/16"
50	AH93056	SHIELD	1		SLIP CLUTCH
51	03H1709	BOLT	1		5/16" X 1"
	N10213	LOCK NUT	1		
52	24H1226	WASHER	1		1/2" X 1-1/4" X 0.083"
53	03H1540	BOLT	2		5/16" X 3/4"
	N10213	LOCK NUT	2		
54	AH89804	SHAFT	1		DRIVE, OUTER

C5

50 SERIES ROW-CROP HEADS

ROW UNIT DRIVE - RIGHT-HAND
 (554 SERIAL NO. -344700)
 (653 SERIAL NO. -344700)

H28876F -UN-01JAN94



KEY	PART NO.	PART NAME	QTY	SERIAL NO.	REMARKS
1	AE27909	CHAIN SPROCKET	2		TIGHTENER
2	H87121	SPACER	1		(SUB H97517)
	H97517	BUSHING	4		
3	03H2113	BOLT	1		1/2" X 2"
	12H301	LOCK WASHER	1		1/2"
	14H1040	NUT	1		1/2"
4	H88704	BUSHING	1		
5	24H1850	WASHER	1		17/32" X 1-1/4" X 0.180"
6	03H2203	BOLT	1		1/2" X 2-1/4"
	12H301	LOCK WASHER	1		1/2"
	14H1040	NUT	1		1/2"
7	LINK CHAIN	1		CHAIN, ROLLER, DRIVE, TYPE 60, 3/4" PITCH, 99 LINKS, (ASSEMBLE FROM AB1288H, AB1289H, (2) AB1290H, B5235H AND (3) B5321H)
8	AH89638	CHAIN SPROCKET	1		60 TEETH, DRIVE
9	24H1513	WASHER	2		1-13/32" X 2" X 0.060"
10	H75371	EYEBOLT	1		
11	24H1305	WASHER	14		13/32" X 13/16" X 0.065"
12	19H218	CAP SCREW	4	-245700	3/8" X 1"
	19H1731	CAP SCREW	4	245701-	3/8" X 1"
	12H304	LOCK WASHER	4		3/8"
	14H812	NUT	4		3/8"
13	N14247	PRESSED FLANGED HOUSING	2		
14	JD9313	BALL BEARING	1		
15	LINK CHAIN	1	-247349	CHAIN, ROLLER, DRIVE, TYPE 60, 3/4" PITCH, 132 LINKS, (ASSEMBLE FROM (2) AB1288H, AB1289H, (3) B5234H, (2) B5235H AND (2) B5321H)
	LINK CHAIN	1	247350-	CHAIN, ROLLER, DRIVE, TYPE 60, 3/4" PITCH, 130 LINKS, (ASSEMBLE FROM (2) AB1288H, AB1289H, (3) B5234H AND (2) B5235H)
16	AH89635	CHAIN SPROCKET	1		30 TEETH, DRIVE
17	14H794	NUT	2		3/4"
18	12H236	LOCK WASHER	2		3/4"
19	24H1399	WASHER	2		25/32" X 1-5/8" X 0.180"
20	14H1040	NUT	2		1/2"
21	03H1499	BOLT	1		1/2" X 1-1/2"
	12H301	LOCK WASHER	1		1/2"
	14H1040	NUT	1		1/2"
22	03H1765	BOLT	11		3/8" X 3/4"
	E55662	FLANGE NUT	11		
23	03H1500	BOLT	4		3/8" X 1"
	12H304	LOCK WASHER	4		3/8"
	14H812	NUT	4		3/8"

THIS PARTS LISTING IS CONTINUED

C6

50 SERIES ROW-CROP HEADS

ROW UNIT DRIVE - RIGHT-HAND - CONTINUED
 (554 SERIAL NO. -344700)
 (653 SERIAL NO. -344700)

KEY	PART NO.	PART NAME	QTY	SERIAL NO.	REMARKS
24	AN102010	BEARING	3		
25	C3994E	PRESSED FLANGED HOUSING	6	-395000	
	H103265	PRESSED FLANGED HOUSING	6		
26	H88594	BRACKET	1		
27	AH89636	CHAIN SPROCKET	1	-247349	18 TEETH, DRIVE
	AH89637	CHAIN SPROCKET	1	247350-	13 TEETH, DRIVE
28	AH89637	CHAIN SPROCKET	1		13 TEETH, DRIVE
29	AH88540	SHIELD	1		SLIP CLUTCH
30	14H812	NUT	8	-294500	3/8"
31	24H1653	WASHER	4		13/32" X 1-1/4" X 0.120"
32	B10608	SPRING	2	-294995	(SUB (2) H77433, THIS APPLICATION)
	H77433	SPRING	2		
33	H87206	SPACER	4	-294500	(SUB (4) H88426, (4) E50102 AND (4) 03H1759)
	H88426	BUSHING	4		
34	N100101	RETAINER	1		
35	Z699H	SLIP CLUTCH	2		
36	H88414	LOCKING COLLAR	1		
37	E45875	SHIM	3		
38	AH87953	DRIVER	1	-395000	(SUB H143581)
	H143581	DRIVER	1		
39	03H2040	BOLT	4	-294500	3/8" X 4-1/4"
	03H1759	BOLT	4	294501-	3/8" X 4-1/2"
40	C2214E	WASHER	1		
41	14H904	NUT	1		3/4"
42	H87059	SNAP RING	1		
43	AH90211	SHIELD	1		
44	H88983	SUPPORT	1		
45	03H1765	BOLT	2		3/8" X 3/4"
	12H304	LOCK WASHER	2		3/8"
	14H812	NUT	2		3/8"
46	26H82	SHAFT KEY	1		1/4" X 7/8"
47	AH89802	SHAFT	1		(554) NO LONGER AVAILABLE
	AH89803	SHAFT	1		(653) (NO LONGER AVAILABLE)
48	H88602	SHAFT	1		(554) (NO LONGER AVAILABLE)
	H88601	TUBE	1		(653) NO LONGER AVAILABLE
49	AH89804	SHAFT	1		
50	H88982	SUPPORT	1	-247679	(SUB H92100)
	H92100	SUPPORT	1		R.H.
51	H76139	SCREW	1		
52	24H1136	WASHER	1		11/32" X 11/16" X 0.065"
53	E50102	LOCK NUT	4	294501-	

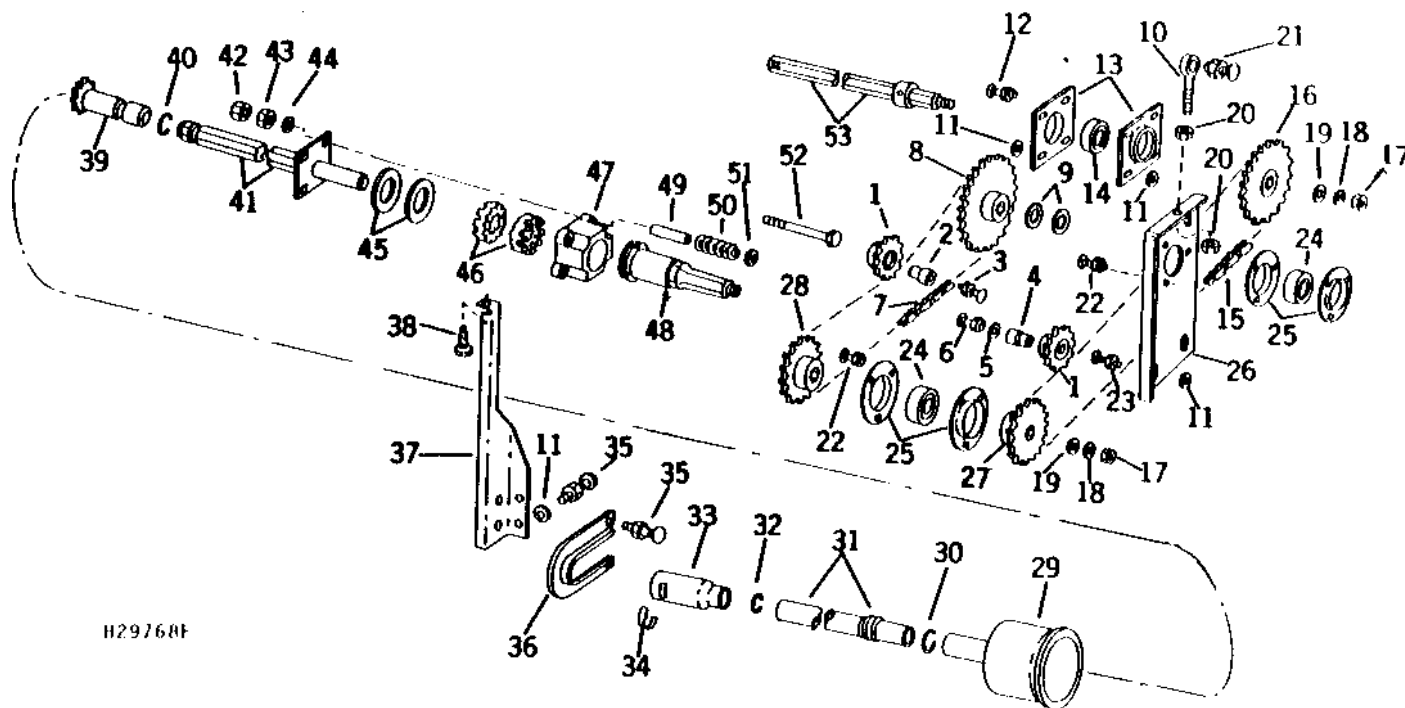
C7

50 SERIES ROW-CROP HEADS

ROW UNIT DRIVE - RIGHT-HAND

(554 SERIAL NO. 344701-)
(653 SERIAL NO. 344701-)

H29768F -UN-01JAN94



H29768F

KEY	PART NO.	PART NAME	QTY	SERIAL NO.	REMARKS
1	AE27909	CHAIN SPROCKET	2		TIGHTENER
	H97517	BUSHING	4		
	03H1503	BOLT	1		1/2" X 2-1/2"
	12H301	LOCK WASHER	1		1/2"
	14H1040	NUT	1		1/2"
4	H97518	BUSHING	1	-395000	(SUB H114641)
	H114641	SPACER	1		
	24H1111	WASHER	2		17/32" X 1-1/16" X 0.090"
	03H2114	BOLT	1		1/2" X 2-3/4"
	12H301	LOCK WASHER	1		1/2"
	14H1040	NUT	1		1/2"
7	LINK CHAIN	1		CHAIN, ROLLER, DRIVE, TYPE 60, 3/4" PITCH, 99 LINKS, (ASSEMBLE FROM AB1288H, AB1289H, (2) AB1290H, B5235H AND (3) B5321H)
8	AH89638	CHAIN SPROCKET	1		60 TEETH, DRIVE
	24H1513	WASHER	2		1-13/32" X 2" X 0.060"
	H75371	EYEBOLT	1		
	24H1305	WASHER	14		13/32" X 13/16" X 0.065"
	19H1731	CAP SCREW	1		3/8" X 1"
	12H304	LOCK WASHER	1		3/8"
	14H812	NUT	1		3/8"
13	N14247	PRESSED FLANGED HOUSING	2		
	JD9313	BALL BEARING	1		
15	LINK CHAIN	1		CHAIN, ROLLER, DRIVE, TYPE 60, 3/4" PITCH, 130 LINKS, (ASSEMBLE FROM (2) AB1288H, AB1289H, (3) B5234H AND (2) B5235H)
16	AH89635	CHAIN SPROCKET	1		30 TEETH, DRIVE
	14H794	NUT	2		3/4"
	12H236	LOCK WASHER	2		3/4"
	24H1399	WASHER	2		25/32" X 1-5/8" X 0.180"
	14H1040	NUT	2		1/2"
	03H1499	BOLT	1		1/2" X 1-1/2"
	12H301	LOCK WASHER	1		1/2"
	14H1040	NUT	1		1/2"
	03H1765	BOLT	5		3/8" X 3/4"
	E55662	FLANGE NUT	5		
	03H1500	BOLT	4		3/8" X 1"
	12H304	LOCK WASHER	4		3/8"
	14H812	NUT	4		3/8"

THIS PARTS LISTING IS CONTINUED

ROW UNIT DRIVE - RIGHT-HAND -- CONTINUED

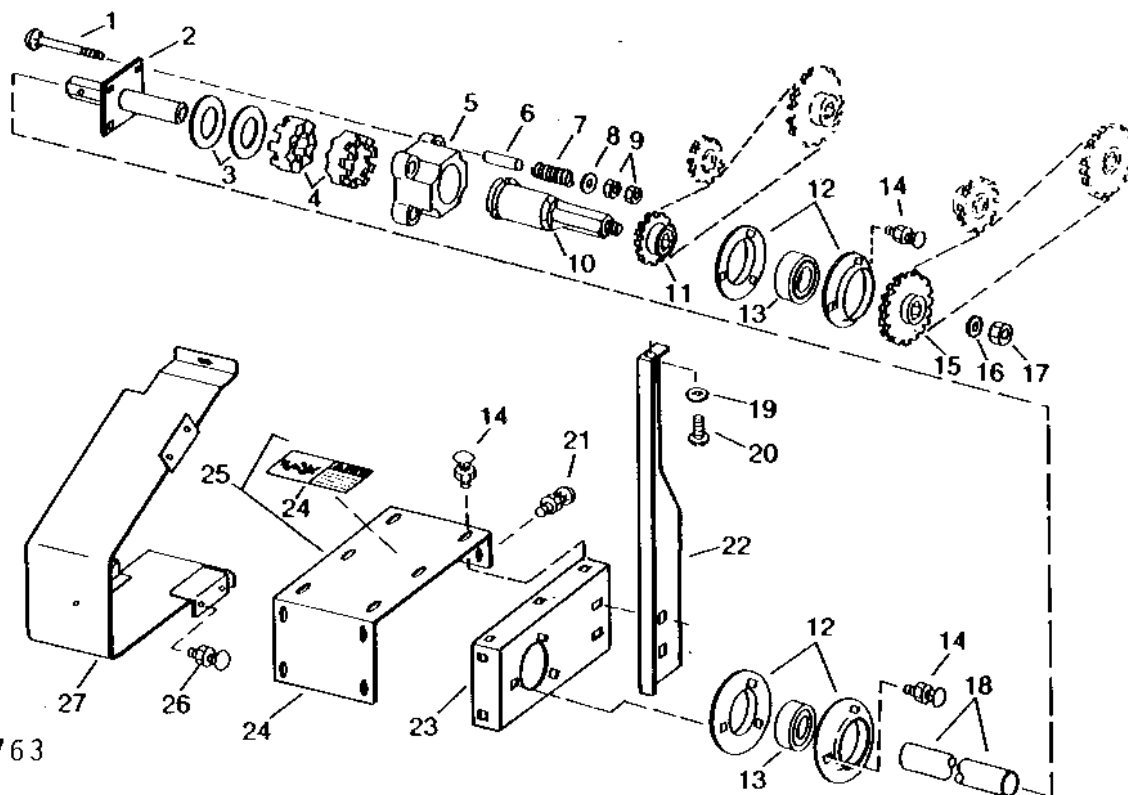
(554 SERIAL NO. 344701-)
(653 SERIAL NO. 344701-)

KEY	PART NO.	PART NAME	QTY	SERIAL NO.	REMARKS
24	AN102010	BEARING	2		
25	C3994E	PRESSED FLANGED HOUSING	4	-395000	
	H103265	PRESSED FLANGED HOUSING	4		
26	H88594	BRACKET	1		
27	AH89637	CHAIN SPROCKET	1		13 TEETH, DRIVE
28	AH89648	CHAIN SPROCKET	1		13 TEETH, DRIVE
29	AH88540	SHIELD	1		SLIP CLUTCH
30	H87059	SNAP RING	1		
31	AH95428	SHIELD	1		(554) (NO LONGER AVAILABLE)
	AH95429	SHIELD	1		(653)
32	P50419	SNAP RING	1		
33	H93439	SHIELD	1		
34	H22039	UNIVERSAL JOINT BEARING	1	-395000	(SUB E62951)
	E62951	UNIVERSAL JOINT BEARING	1		
35	03H1758	BOLT	4		5/8" X 3-1/4"
	E55662	FLANGE NUT	4		
36	H87226	BRACKET	1		
37	H92100	SUPPORT	1		R.H.
38	H76139	SCREW	1		SELF-TAPPING
39	AH91784	CHAIN SPROCKET	1		SLIP CLUTCH
40	H80926	SNAP RING	1		
41	AH95431	SHAFT	1		(554) (NO LONGER AVAILABLE)
	AH95432	SHAFT	1		(653)
42	E50102	LOCK NUT	4		
43	14H812	NUT	4		3/8"
44	24H1682	WASHER	4		13/32" X 7/8" X 0.120"
45	H95034	WASHER	2		
46	Z699H	SLIP CLUTCH	2		
47	N100101	RETAINER	1		
48	H93956	SHAFT	1	-345375	(SUB AH93941)
	AH93941	SHAFT	1		
49	H88426	BUSHING	4		
50	H77433	SPRING	2		
51	24H1653	WASHER	4		13/32" X 1-1/4" X 0.120"
52	19H2700	CAP SCREW	4		3/8" X 4-1/2"
53	AH89804	SHAFT	1		DRIVE, OUTER

C9

ROW UNIT DRIVE, RIGHT-HAND (SIDEHILL)
(454 AND 653) (SERIAL NO. -345375)

HP2763 -UN-01JAN94



HP 2763

KEY	PART NO.	PART NAME	QTY	SERIAL NO.	REMARKS
1	03H2040	BOLT	4		3/8" X 4-1/4"
2	AH89445	SHAFT	1		
	AH89645	SHAFT	1	-245000	(554) (NO LONGER AVAILABLE)
	AH89644	DRIVE SHAFT	1		(653)
3	N100129	WASHER	2		
4	Z699H	SLIP CLUTCH	2		
5	N100101	RETAINER	1		
6	H87206	SPACER	4		
7	B10608	SPRING	2		
8	24H1653	WASHER	4		13/32" X 1-1/4" X 0.120"
9	14H812	NUT	8		3/8"
10	AH89641	SHAFT	1		
11	AH89648	CHAIN SPROCKET	1		
12	C3994E	PRESSED FLANGED HOUSING	4	-395000	
	H103265	PRESSED FLANGED HOUSING	4		
13	AN102010	BEARING	2		
14	03H1765	BOLT	13		3/8" X 3/4"
	E55662	FLANGE NUT	13		
15	AH89636	CHAIN SPROCKET	1	-247349	18 TEETH, DRIVE
	AH89637	CHAIN SPROCKET	1	247350-	13 TEETH, DRIVE
16	24H1399	WASHER	1		25/32" X 1-5/8" X 0.180"
17	14H904	NUT	1		3/4"
18	H88436	SHIELD	1		(653) NO LONGER AVAILABLE
19	24H1136	WASHER	1		11/32" X 11/16" X 0.065"
20	H76139	SCREW	1		
21	03H1519	BOLT	2		3/8" X 1"
	E55662	FLANGE NUT	2		
22	H88982	SUPPORT	1		
23	H89456	BRACKET	1		
24	E74026	DECAL	1		"DANGER" (DRIVE SHAFT)
25	H88095	SHIELD	1		(SUB H134062)
26	03H1540	BOLT	4		5/16" X 3/4"
27	AH90245	SHIELD	1		

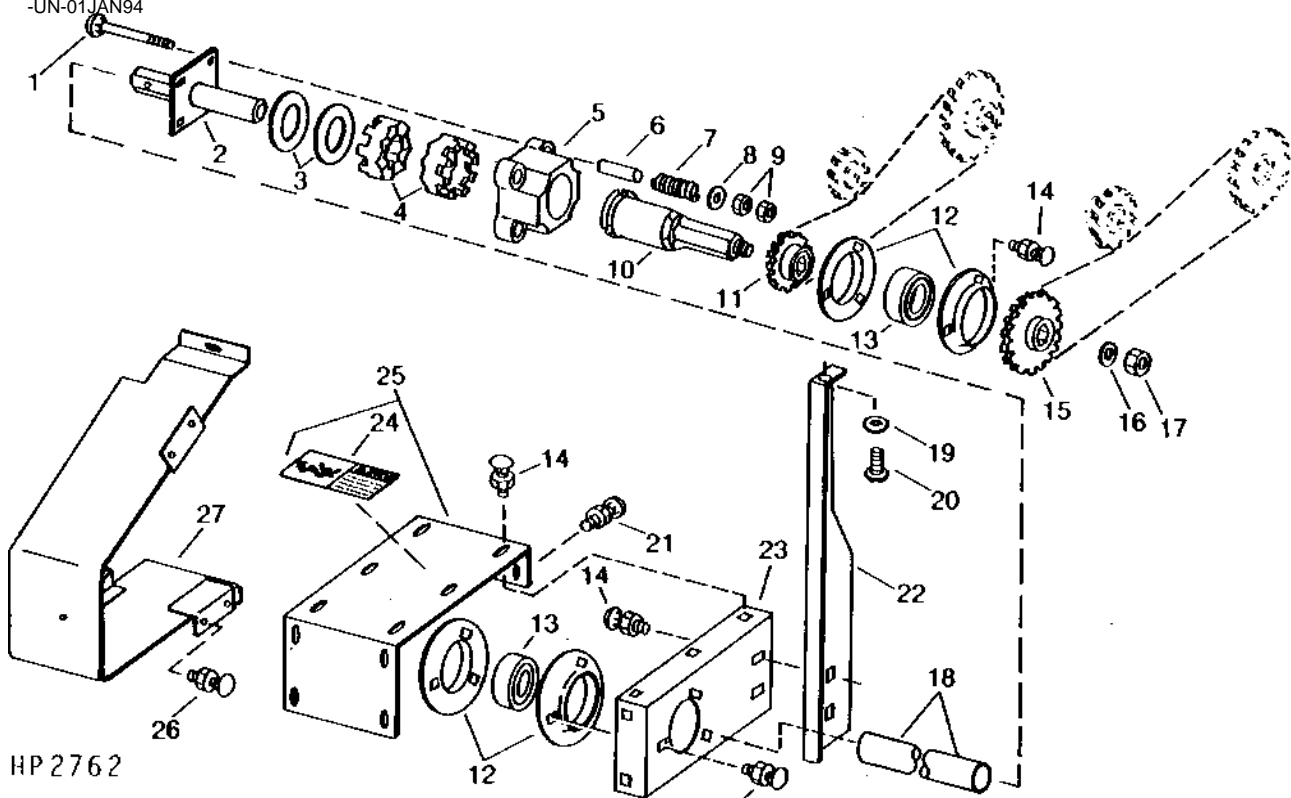
C10

50 SERIES ROW-CROP HEADS

ROW UNIT DRIVE, RIGHT-HAND (SIDEHILL) (454 AND 653) (SERIAL NO. 345376-)

HP2762

-UN-01 JAN94



KEY	PART NO.	PART NAME	QTY	SERIAL NO.	REMARKS
1	03H2040	BOLT	4		3/8" X 4-1/4"
2	AH97284	SHAFT	1		(454)
	AH89644	DRIVE SHAFT	1		(653)
3	H95034	WASHER	2		
4	Z699H	SLIP CLUTCH	2		
5	N100101	RETAINER	1		
6	H87206	SPACER	4		
7	B10608	SPRING	2		
8	24H1653	WASHER	4		13/32" X 1-1/4" X 0.120"
9	14H732	NUT	4		3/8"
10	AH93941	SHAFT	1		
11	AH89648	CHAIN SPROCKET	1		13 TEETH, DRIVE
12	C3994E	PRESSED FLANGED HOUSING	4	-395000	
	H103265	PRESSED FLANGED HOUSING	4		
	AN102010	BEARING	2		
14	03H1765	BOLT	13		3/8" X 3/4"
	N10215	LOCK NUT	13		
15	AH89637	CHAIN SPROCKET	1		13 TEETH, DRIVE
16	24H1399	WASHER	1		25/32" X 1-5/8" X 0.180"
17	14H794	NUT	1		3/4"
	12H236	LOCK WASHER	1		3/4"
18	H88436	SHAFT	1		(653) NO LONGER AVAILABLE
19	24H1136	WASHER	1		11/32" X 11/16" X 0.065"
20	H76139	SCREW	1		
21	03H1519	BOLT	2		3/8" X 1"
	N10215	LOCK NUT	2		
22	H88982	SUPPORT	1		R.H.
23	H89456	BRACKET	1		
24	E74026	DECAL	1		"DANGER" (DRIVE SHAFT)
25	H88095	SHIELD	1		(SUB H134062)
26	03H1540	BOLT	4		5/16" X 3/4"
27	AH98311	SHIELD	1		

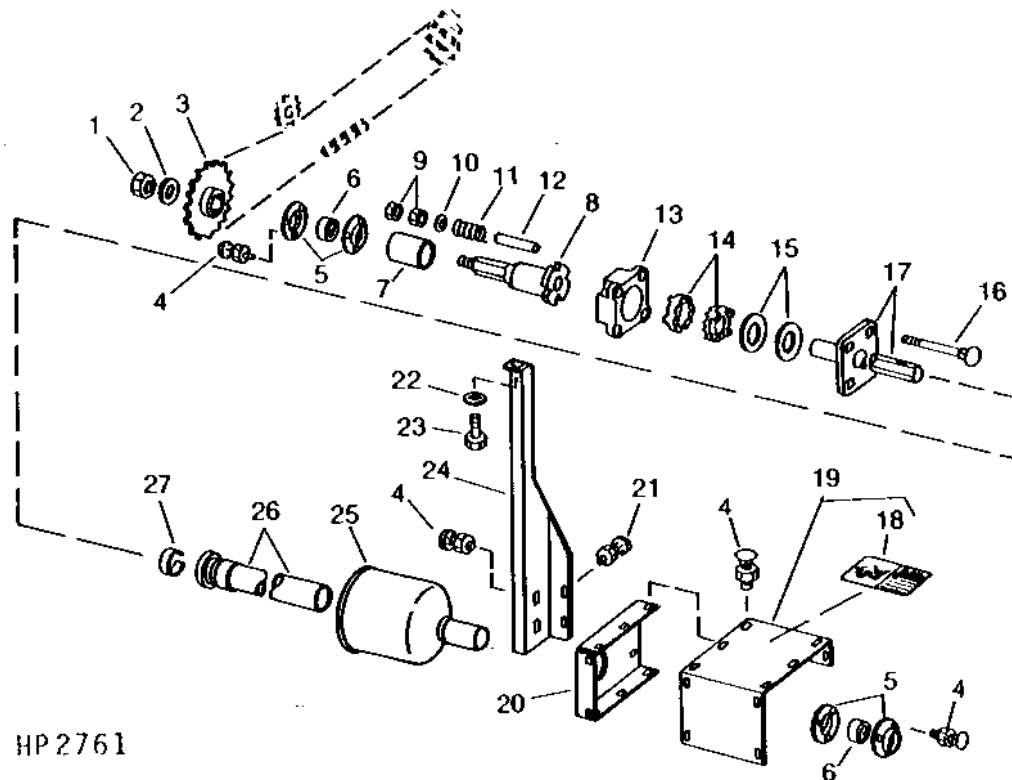
C11

50 SERIES ROW-CROP HEADS

ROW UNIT DRIVE, LEFT-HAND (SIDEHILL) (653)

HP2761

-UN-01JAN94



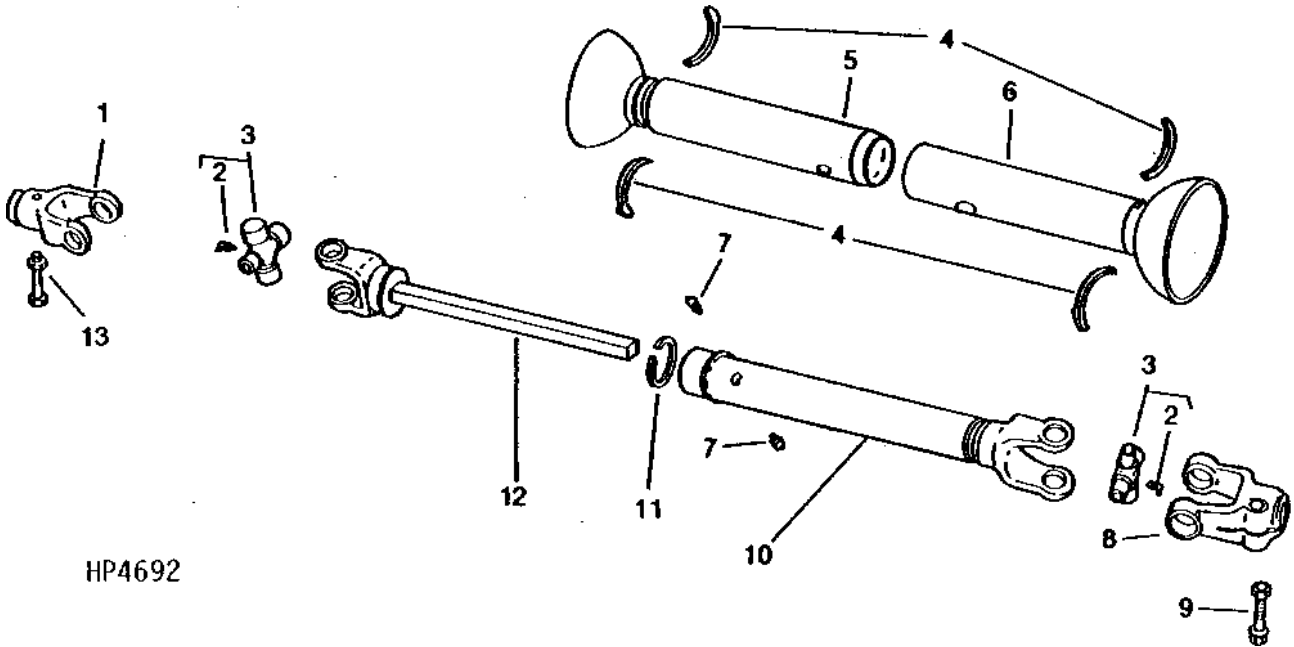
KEY	PART NO.	PART NAME	QTY	SERIAL NO.	REMARKS
1	14H904	NUT	1	-345375	3/4"
	14H794	NUT	1	345376-	3/4"
	12H236	LOCK WASHER	1	345376-	3/4"
2	24H1399	WASHER	1		25/32" X 1-5/8" X 0.180"
3	AH89636	CHAIN SPROCKET	1	-247349	18 TEETH, DRIVE
	AH89637	CHAIN SPROCKET	1	247350-	13 TEETH, DRIVE
4	03H1765	BOLT	13		3/8" X 3/4"
	N10215	LOCK NUT	13		
5	C3994E	PRESSED FLANGED HOUSING	4	-395000	
	H103265	PRESSED FLANGED HOUSING	4		
6	AN102010	BEARING	2		
7	H88439	BUSHING	1		NO LONGER AVAILABLE
8	AH89641	SHAFT	1	-345375	(SUB AH93941)
	AH93941	SHAFT	1		
9	14H812	NUT	8	-345375	3/8"
	14H732	NUT	4	345376-	3/8"
10	24H1653	WASHER	4		13/32" X 1-1/4" X 0.120"
11	B10608	SPRING	2		
12	H87206	SPACER	4		
13	N100101	RETAINER	1		
14	Z699H	SLIP CLUTCH	2		
15	N100129	WASHER	2	-345375	
16	03H2040	BOLT	4		3/8" X 4-1/4"
17	AH89644	DRIVE SHAFT	1		
18	E74026	DECAL	1		"DANGER" (DRIVE SHAFT)
19	H88095	SHIELD	1		(SUB H134063)
20	H89456	BRACKET	1		
21	03H1519	BOLT	2		3/8" X 1"
	N10215	LOCK NUT	2		
22	24H1136	WASHER	1		11/32" X 11/16" X 0.065"
23	H76139	SCREW	1		
24	H88981	SUPPORT	1	-247679	(SUB H92101)
	H92101	SUPPORT	1		L.H.
25	AH88540	SHIELD	1		SLIP CLUTCH
26	AH89646	SHAFT	1		DRIVE SHAFT, NO LONGER AVAILABLE
27	H87059	SNAP RING	1		

C12

50 SERIES ROW-CROP HEADS

HEADER DRIVE SHAFT - SIDEHILL (L.H. ILLUSTRATED)

HP4692 -UN-01JAN94



HP4692

KEY	PART NO.	PART NAME	QTY	SEPARATOR SERIAL NO.	REMARKS
1	H87501	UNIVERSAL JOINT YOKE	1	(INNER)	
2	LUBRICATION FITTING	1		
	P49554	SNAP RING	4		
3	AE22753	CROSS AND BEARING ASSEMBLY	2	-403300	
	AP24580	CROSS AND BEARING ASSEMBLY	2	403301-620549	(SUB AE22753)
	AE22753	CROSS AND BEARING ASSEMBLY	1		
4	H22039	UNIVERSAL JOINT BEARING	4	-404255	(SUB E62951)
	E62951	UNIVERSAL JOINT BEARING	4		
	AH60752	POWERSHAFT SHIELD	1		
5	AH61953	SHIELD	1		
6	JD7797	LUBRICATION FITTING	2		
7	H22135	UNIVERSAL JOINT YOKE	1		(OUTER)
8	19H1820	CAP SCREW	1		1/2" X 3"
	12H301	LOCK WASHER	1		1/2"
	14H1040	NUT	1		1/2"
10	AH60756	YOKE, WITH TUBE	1	-505018	(SUB AH113101)
	AH113101	YOKE, WITH TUBE	1		(TUBE)
11	H24673	SNAP RING	1		
12	AH11668	YOKE, WITH SHAFT	1	-505018	(SUB AH113100)
	AH113100	YOKE, WITH SHAFT	1		(SHAFT)
13	19H1949	CAP SCREW	1		5/16" X 2-1/2"
	12H303	LOCK WASHER	1		5/16"
	14H785	NUT	1		5/16"

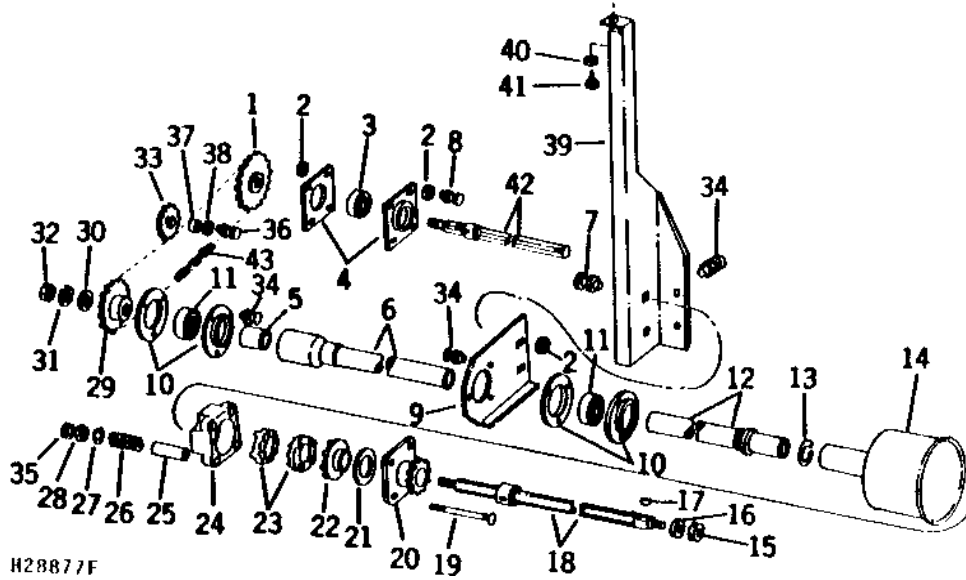
NOTE: QUANTITIES SHOWN ARE FOR ONE UNIT. TWO UNITS USED PER MACHINE.

C13

50 SERIES ROW-CROP HEADS

ROW UNIT DRIVE, LEFT-HAND
 (554 SERIAL NO. -344700)
 (653 SERIAL NO. -344700)

H28877F -UN-01JAN94



KEY	PART NO.	PART NAME	QTY	SERIAL NO.	REMARKS
1	AH89635	CHAIN SPROCKET	1		30 TEETH, DRIVE
2	24H1305	WASHER	10		13/32" X 13/16" X 0.065"
3	JD9313	BALL BEARING	1		
4	N14247	PRESSED FLANGED HOUSING	2		
5	H88424	BUSHING	1		(NO LONGER AVAILABLE)
6	AH91491	SHAFT	1		L.H. (554) (NO LONGER AVAILABLE)
	AH91494	SHIELD	1		L.H. (SUB AH126377) (653)
7	03H1765	BOLT	2		3/8" X 3/4"
	12H304	LOCK WASHER	2		3/8"
	14H812	NUT	2		3/8"
8	19H1731	CAP SCREW	4		3/8" X 1"
	12H304	LOCK WASHER	4		3/8"
	14H812	NUT	4		3/8"
9	H88983	SUPPORT	1		
10	C3994E	PRESSED FLANGED HOUSING	4	-395000	
	H103265	PRESSED FLANGED HOUSING	4		
11	AN102010	BEARING	2		
12	AH90211	SHIELD	1		
13	H87059	SNAP RING	1		
14	AH88540	SHIELD	1		
15	14H904	NUT	1		3/4"
16	C2214E	WASHER	1		
17	26H82	SHAFT KEY	1		1/4" X 7/8"
18	AH89802	SHAFT	1		(554) (NO LONGER AVAILABLE)
	AH89803	SHAFT	1		(653) (NO LONGER AVAILABLE)
19	03H2040	BOLT	4	-294500	3/8" X 4-1/4"
	03H1759	BOLT	4	294501-	3/8" X 4-1/2"
20	AH87953	DRIVER	1	-395000	(SUB H143581)
	H143581	DRIVER	1		
21	E45875	SHIM	3		
22	H88414	LOCKING COLLAR	1		
23	Z699H	SLIP CLUTCH	2		
24	N100101	RETAINER	1		
25	H87206	SPACER	4	-294500	(SUB (4) H88426, (4) E50102 AND (4) 03H1759)
	H88426	BUSHING	4		
26	B10608	SPRING	2	-294995	(SUB (2) H77433, THIS APPLICATION)
	H77433	SPRING	2		
27	24H1653	WASHER	4		13/32" X 1-1/4" X 0.120"
28	14H812	NUT	8	-294500	3/8"
29	AH89636	CHAIN SPROCKET	1	-247349	18 TEETH, DRIVE
	AH89637	CHAIN SPROCKET	1	247350-	13 TEETH, DRIVE
30	24H1399	WASHER	1		25/32" X 1-5/8" X 0.180"
31	12H236	LOCK WASHER	1		3/4"
32	14H794	NUT	1		3/4"
33	AE27909	CHAIN SPROCKET	1		15 TEETH, TIGHTENER

THIS PARTS LISTING IS CONTINUED

C14

50 SERIES ROW-CROP HEADS

ROW UNIT DRIVE, LEFT-HAND - CONTINUED

(554 SERIAL NO. -344700)

(653 SERIAL NO. -344700)

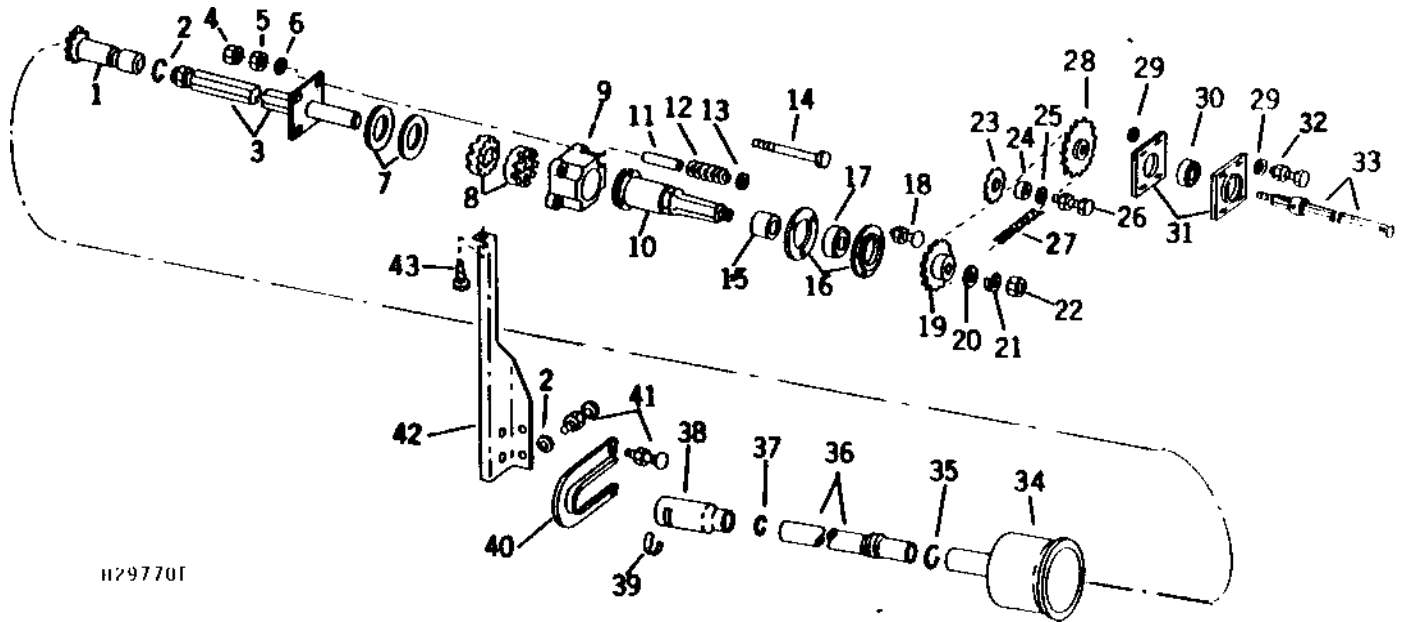
KEY	PART NO.	PART NAME	QTY	SERIAL NO.	REMARKS
34	03H1765	BOLT	8		3/8" X 3/4"
	N10215	LOCK NUT	8		
35	E50102	LOCK NUT	4	294501-	
36	03H2203	BOLT	1		1/2" X 2-1/4"
	12H301	LOCK WASHER	1		1/2"
	14H1040	NUT	1		1/2"
37	H88704	BUSHING	1		
38	24H1850	WASHER	1		17/32" X 1-1/4" X 0.180"
39	H88981	SUPPORT	1	-247679	(SUB H92101)
	H92101	SUPPORT	1		L.H.
40	24H1136	WASHER	1		11/32" X 11/16" X 0.065"
41	H76139	SCREW	1		
42	AH89804	SHAFT	1		DRIVE, OUTER
43	LINK CHAIN	1	-247349	CHAIN, ROLLER, DRIVE, TYPE 60, 3/4" PITCH, 132 LINKS, (ASSEMBLE FROM (2) AB1288H, AB1289H, (3) B5234H, (2) B5235H AND (2) B5321H)
	LINK CHAIN	1	247350-	CHAIN, ROLLER, DRIVE, TYPE 60, 3/4" PITCH, 130 LINKS, (ASSEMBLE FROM (2) AB1288H, AB1289H, (3) B5234H AND (2) B5235H)

C15

50 SERIES ROW-CROP HEADS

ROW UNIT DRIVE - LEFT-HAND
 (554 SERIAL NO. 344701-)
 (653 SERIAL NO. 344701-)

H29770F -UN-01JAN94



H29770F

KEY	PART NO.	PART NAME	QTY	SERIAL NO.	REMARKS
1	AH91784	CHAIN SPROCKET	1		14 TEETH
2	H80926	SNAP RING	1		
3	AH95431	SHAFT	1	(554)	
	AH95432	SHAFT	1	(653)	
4	E50102	LOCK NUT	4		
5	14H812	NUT	4	3/8"	
6	24H1682	WASHER	4	13/32" X 7/8" X 0.120"	
7	H95034	WASHER	2		
8	Z699H	SLIP CLUTCH	2		
9	N100101	RETAINER	1		
10	H93956	SHAFT	1	-345375	(SUB AH93941)
	AH93941	SHAFT	1		
11	H88426	BUSHING	4		
12	H77433	SPRING	2		
13	24H1653	WASHER	4	13/32" X 1-1/4" X 0.120"	
14	19H2700	CAP SCREW	4	3/8" X 4-1/2"	
15	H88439	BUSHING	1		(L.H. END ONLY) (NO LONGER AVAILABLE)
16	C3994E	PRESSED FLANGED HOUSING	2	-395000	
	H103265	PRESSED FLANGED HOUSING	2		
17	AN102010	BEARING	1		
18	03H1765	BOLT	2	3/8" X 3/4"	
	N10215	LOCK NUT	2		
19	AH89648	CHAIN SPROCKET	1		13 TEETH, DRIVE
20	24H1399	WASHER	1		25/32" X 1-5/8" X 0.180"
21	12H236	LOCK WASHER	1		3/4"
22	14H794	NUT	1		3/4"
23	AE27909	CHAIN SPROCKET	1		15 TEETH, TIGHTENER
24	H97518	BUSHING	1	-395000	(SUB H114641)
	H114641	SPACER	1		
25	24H1111	WASHER	2		17/32" X 1-1/16" X 0.090"
26	03H2114	BOLT	1		1/2" X 2-3/4"
	12H301	LOCK WASHER	1		1/2"
	14H1040	NUT	1		1/2"
27	LINK CHAIN	1		CHAIN, ROLLER, DRIVE, TYPE 60, 3/4" PITCH, 130 LINKS, (ASSEMBLE FROM (2) AB1288H, AB1289H, (3) B5234H AND (2) B5235H)
28	AH89635	CHAIN SPROCKET	1		30 TEETH, DRIVE
29	24H1305	WASHER	10		13/32" X 13/16" X 0.065"
30	JD9313	BALL BEARING	1		
31	N14247	PRESSED FLANGED HOUSING	2		
32	19H1731	CAP SCREW	4	3/8" X 1"	
	12H304	LOCK WASHER	4	3/8"	
	14H812	NUT	4	3/8"	

THIS PARTS LISTING IS CONTINUED

C16

50 SERIES ROW-CROP HEADS

ROW UNIT DRIVE - LEFT-HAND -- CONTINUED
(554 SERIAL NO. 344701-)
(653 SERIAL NO. 344701-)

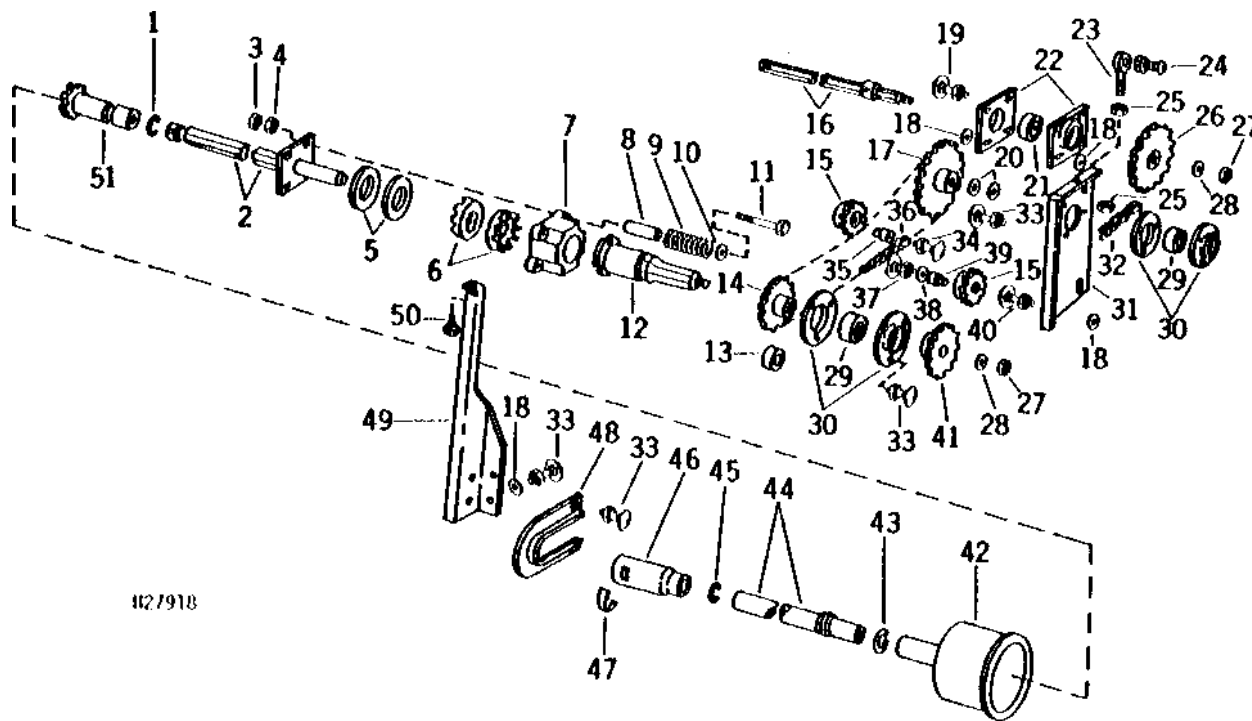
KEY	PART NO.	PART NAME	QTY	SERIAL NO.	REMARKS
33	AH89804	SHAFT	1		
34	AH88540	SHIELD	1		
35	H87059	SNAP RING	1		
36	AH95428	SHIELD	1		(554) (NO LONGER AVAILABLE)
	AH95429	SHIELD	1		(653)
37	P50419	SNAP RING	1		
38	H93439	SHIELD	1		
39	H22039	UNIVERSAL JOINT BEARING	1	-395000	(SUB E62951)
	E62951	UNIVERSAL JOINT BEARING	1		
40	H87226	BRACKET	1		
41	03H1758	BOLT	4		5/8" X 3-1/4"
	N10215	LOCK NUT	4		
42	H92101	SUPPORT	1		L.H.
43	H76139	SCREW	1		SELF-TAPPING

C17

50 SERIES ROW-CROP HEADS

ROW UNIT DRIVE - RIGHT-HAND AND LEFT-HAND (654 AND 853)

H27918F -UN-01JAN94



KEY	PART NO.	PART NAME	QTY	SERIAL NO.	REMARKS
1	H80926	SNAP RING	1		
2	AH91730	SHAFT	1		R.H. & L.H. (853)
	AH93143	SHAFT	1	-635100	R.H. & L.H. (654) NO LONGER AVAILABLE
	AH97940	DRIVE SHAFT	1		
3	E50102	LOCK NUT	4		
4	14H812	NUT	4	3/8"	
5	H95034	WASHER	2		
6	Z699H	SLIP CLUTCH	2		
7	N100101	RETAINER	1		
8	H88426	BUSHING	4		
9	B10608	SPRING	2	-294995	(SUB (2) H77433, THIS APPLICATION)
	H77433	SPRING	2		
10	24H1653	WASHER	4		13/32" X 1-1/4" X 0.120"
11	19H2700	CAP SCREW	4		3/8" X 4-1/2"
12	H93956	SHAFT	1	-345375	(SUB AH93941)
	AH93941	SHAFT	1		
13	H88439	BUSHING	1		(L.H. END ONLY) (NO LONGER AVAILABLE)
14	AH89648	CHAIN SPROCKET	1		13 TEETH, DRIVE
15	AE27909	CHAIN SPROCKET	2		TIGHTENER
16	AH89804	SHAFT	1		
17	AH89638	CHAIN SPROCKET	1		60 TEETH, DRIVE
18	24H1305	WASHER	14		13/32" X 13/16" X 0.065"
19	19H1731	CAP SCREW	4		3/8" X 1"
	12H304	LOCK WASHER	4		3/8"
	14H812	NUT	4		3/8"
20	24H1513	WASHER	2		1-13/32" X 2" X 0.060"
21	JD9313	BALL BEARING	1		
22	N14247	PRESSED FLANGED HOUSING	2		
23	H75371	EYEBOLT	1		
24	03H1499	BOLT	1		1/2" X 1-1/2"
	12H301	LOCK WASHER	1		1/2"
	14H1040	NUT	1		1/2"
25	14H1040	NUT	2		1/2"
26	AH89635	CHAIN SPROCKET	1		30 TEETH, DRIVE
27	14H794	NUT	2		3/4"
	12H236	LOCK WASHER	2		3/4"
28	24H1399	WASHER	2		25/32" X 1-5/8" X 0.180"

C18

50 SERIES ROW-CROP HEADS

ROW UNIT DRIVE - RIGHT-HAND AND LEFT-HAND--CONTINUED
(654 AND 853)

KEY	PART NO.	PART NAME	QTY	SERIAL NO.	REMARKS
29	AN102010	BEARING	2		
30	C3994E	PRESSED FLANGED HOUSING	4	-395000	
	H103265	PRESSED FLANGED HOUSING	4		
31	H88594	BRACKET	1		
32	LINK CHAIN	1		CHAIN, ROLLER, DRIVE, TYPE 60, 3/4" PITCH, 130 LINKS, (ASSEMBLE FROM (2) AB1288H, AB1289H, (3) B5234H AND (2) B5235H)
33	03H1765	BOLT	10		
	N10215	LOCK NUT	10		3/8" X 3/4"
34	03H2113	BOLT	1	-344700	1/2" X 2"
	12H301	LOCK WASHER	1		1/2"
	14H1040	NUT	1		1/2"
35	H87121	SPACER	1	-344700	(SUB H97517)
	H97517	BUSHING	4		
36	LINK CHAIN	1		CHAIN, ROLLER, DRIVE, TYPE 60, 3/4" PITCH, 99 LINKS, (ASSEMBLE FROM AB1288H, AB1289H, (2) AB1290H, B5235H AND (3) B5321H)
37	03H2203	BOLT	1	-344700	1/2" X 2-1/4"
	03H2114	BOLT	1	344701-	1/2" X 2-3/4"
	12H301	LOCK WASHER	1		1/2"
	14H1040	NUT	1		1/2"
38	24H1850	WASHER	1	-344700	17/32" X 1-1/4" X 0.180"
	24H1111	WASHER	2	344701-	17/32" X 1-1/16" X 0.090"
39	H88704	BUSHING	1	-344700	
	H97518	BUSHING	1	344701-395000	(SUB H114641)
	H114641	SPACER	1		
40	03H1500	BOLT	4		3/8" X 1"
41	AH89637	CHAIN SPROCKET	1		13 TEETH, DRIVE
42	AH88540	SHIELD	1		
43	H87059	SNAP RING	1		
44	AH92626	SHIELD	1		(853)
	AH93142	SHAFT	1		(654) (NO LONGER AVAILABLE)
45	P50419	SNAP RING	1		
46	H93439	SHIELD	1		
47	H22039	UNIVERSAL JOINT BEARING	1	-395000	(SUB E62951)
	E62951	UNIVERSAL JOINT BEARING	1		
48	H87226	BRACKET	1		
49	H92100	SUPPORT	1		(R.H.)
	H92101	SUPPORT	1		(L.H.)
50	H76139	SCREW	1		
51	AH91784	CHAIN SPROCKET	1		14 TEETH

NOTE: QUANTITIES SHOWN ARE FOR RIGHT-HAND SIDE EXCEPT WHERE NOTED.

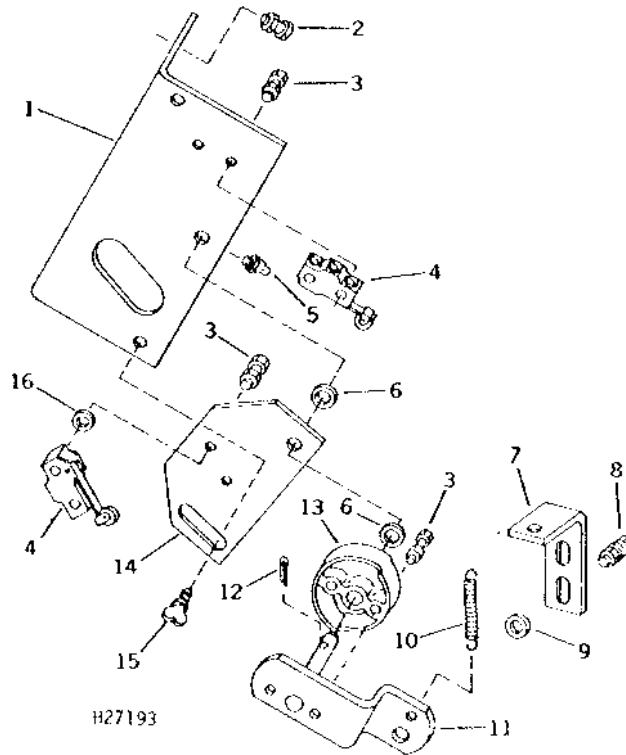
MEMORANDA

C19

50 SERIES ROW-CROP HEADS

SENSING SWITCHES AND MOUNTING (AUTOMATIC HEADER HEIGHT CONTROL)
 (453, 454, 653, 654, AND 853 SERIAL NO. -)
 (554 SERIAL NO. -245000)
 (554 SERIAL NO. 344701-)

H27193 -UN-01JAN94



KEY	PART NO.	PART NAME	QTY	SERIAL NO.	REMARKS
1	AH89588	PLATE	1		(NO LONGER AVAILABLE)
2	19H1900	CAP SCREW	2		5/16" X 3/4"
	12H303	LOCK WASHER	2		5/16"
	14H785	NUT	2		5/16"
3	21H1348	SCREW	6		0.138" X 1-1/8"
	12H314	LOCK WASHER	6		0.138"
	14H1026	NUT	6		0.138"
4	AH62345	SWITCH	2		
5	JD7797	LUBRICATION FITTING	1		
6	24H1304	WASHER	2		13/32" X 23/32" X 0.120"
7	H88343	BRACKET	1	-426350	(SUB H103628)
	H103628	BRACKET	1		
8	03H1540	BOLT	2		5/16" X 3/4"
	12H303	LOCK WASHER	2		5/16"
	14H785	NUT	2		5/16"
9	24H1136	WASHER	2		11/32" X 11/16" X 0.065"
10	R2577R	SPRING	1		
11	AH89589	ARM	1		(NO LONGER AVAILABLE)
12	11H231	COTTER PIN	1		1/16" X 1"
13	H88336	ACTUATOR	1		
14	H88348	PLATE	1		(NO LONGER AVAILABLE)
15	H88344	WING SCREW	1		ADJUSTING
16	24H1281	WASHER	2		5/32" X 3/8" X 0.049"

C20

50 SERIES ROW-CROP HEADS

HEIGHT SENSING LINKAGE (AUTOMATIC HEADER HEIGHT CONTROL)

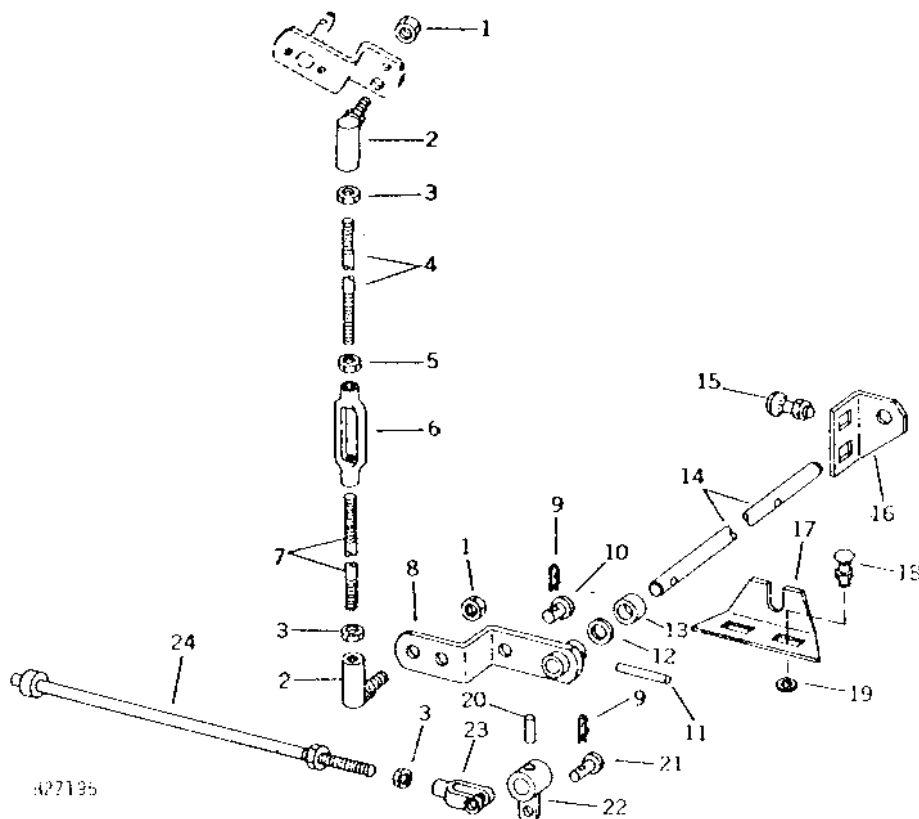
(453, 454, 653, 654, AND 853 SERIAL NO. -)

(554 SERIAL NO. -245000)

(554 SERIAL NO. 344701-)

H27195

-UN-01JAN94



KEY	PART NO.	PART NAME	QTY	SERIAL NO.	REMARKS
1	14H846	NUT	2		3/8"
	12H304	LOCK WASHER	2		3/8"
	AH76556	BALL JOINT	2		
3	14H882	NUT	3		5/16"
4	H88335	LINK	1		
5	14H611	NUT	1		5/16"
6	H35309	TURNBUCKLE	1		
7	H88350	LINK	1		L.H. THREADS
8	AH89590	ACTUATOR	1		
9	J16931	SPRING LOCKING PIN	2	-246953	
	11H206	COTTER PIN	2	246954-	3/32" X 3/4"
10	H31571	PIN	1		DRILLED
11	34H286	SPRING PIN	1		3/16" X 1-1/2"
12	24H1413	WASHER	1		57/64" X 1-3/8" X 0.048"
13	R43215	SPACER	1	-344840	(SUB R66143)
	R66143	WASHER	1		
14	H88539	ROD	1	-395000	(453) (SUB H103621)
	H103621	ROD	1		(453) (NO LONGER AVAILABLE)
	H88540	ROD	1	-426350	(653) (SUB H103624)
	H103624	PIN	1		(653)
	H88541	ROD	1	-395000	(454) (SUB H103622)
	H103622	ROD	1		(454) (NO LONGER AVAILABLE)
	H88542	ROD	1		(554)
	H92338	ROD	1	-426350	(850) (SUB H103627)
	H103627	ROD	1		(853) (NO LONGER AVAILABLE)
	H94142	ROD	1	-395000	(654) (SUB H103625) (NO LONGER AVAILABLE)
	H103625	PIN	1		(654)
15	03H1540	BOLT	AR		5/16" X 3/4"
	N10213	LOCK NUT	AR		
16	H88641	CLIP	2		

C21

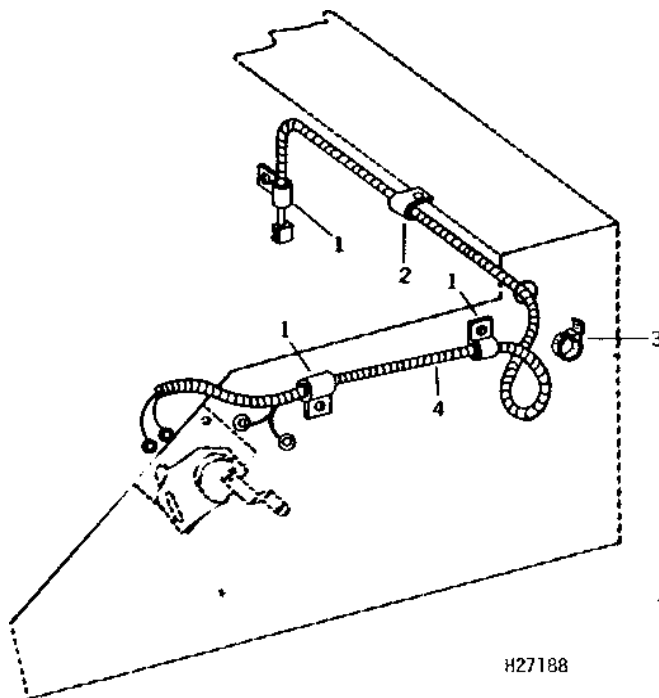
50 SERIES ROW-CROP HEADS

HEIGHT SENSING LINKAGE - CONTINUED
 (AUTOMATIC HEADER HEIGHT CONTROL)
 (453, 454, 653, 654, AND 853 SERIAL NO. -)
 (554 SERIAL NO. -245000) (554 SERIAL NO. 344701-)

KEY	PART NO.	PART NAME	QTY	SERIAL NO.	REMARKS
17	H88751	CLIP	AR	-395000	(6 USED-454, 653; 5 USED-853; 3 USED-554, 654; 4 USED-453) (SUB H107116)
	H107116	CLIP	AR		(6 USED-454, 653; 5 USED-853; 3 USED-554, 654; 4 USED-453)
18	03H1540	BOLT	AR		5/16" X 3/4"
	12H303	LOCK WASHER	AR		5/16"
	14H785	NUT	AR		5/16"
19	24H1136	WASHER	AR		11/32" X 11/16" X 0.065"
20	34H280	SPRING PIN	AR		3/16" X 7/8", (4 USED-453, 454; 5 USED-554; 6 USED-653, 654; 8 USED-853)
21	H858R	PIN	AR		DRILLED, (4 USED-453, 454; 5 USED-554; 6 USED-653, 654; 8 USED-853)
22	AH89697	CRANK	AR		(4 USED-453, 454; 5 USED-554; 6 USED-653, 654; 8 USED-853)
23	P43922	YOKE	AR		(4 USED-453, 454; 5 USED-554; 6 USED-653, 654; 8 USED-853)
24	AH90538	ROD	AR	-395000	(4 USED - 453, 454, 5 USED - 554; 6 USED - 653, 654; 8 USED - 853) (SUB AH117975)
	AH117975	ROD	AR		(4 USED - 543, 545; 5 USED - 554; 6 USED - 653, 654; 8 USED - 853)

WIRING HARNESS (AUTOMATIC HEADER HEIGHT CONTROL)
 (453, 454, 653, 654, AND 853 SERIAL NO. -)
 (554 SERIAL NO. -245000)
 (554 SERIAL NO. 344701-)

H27188 -UN-01JAN94



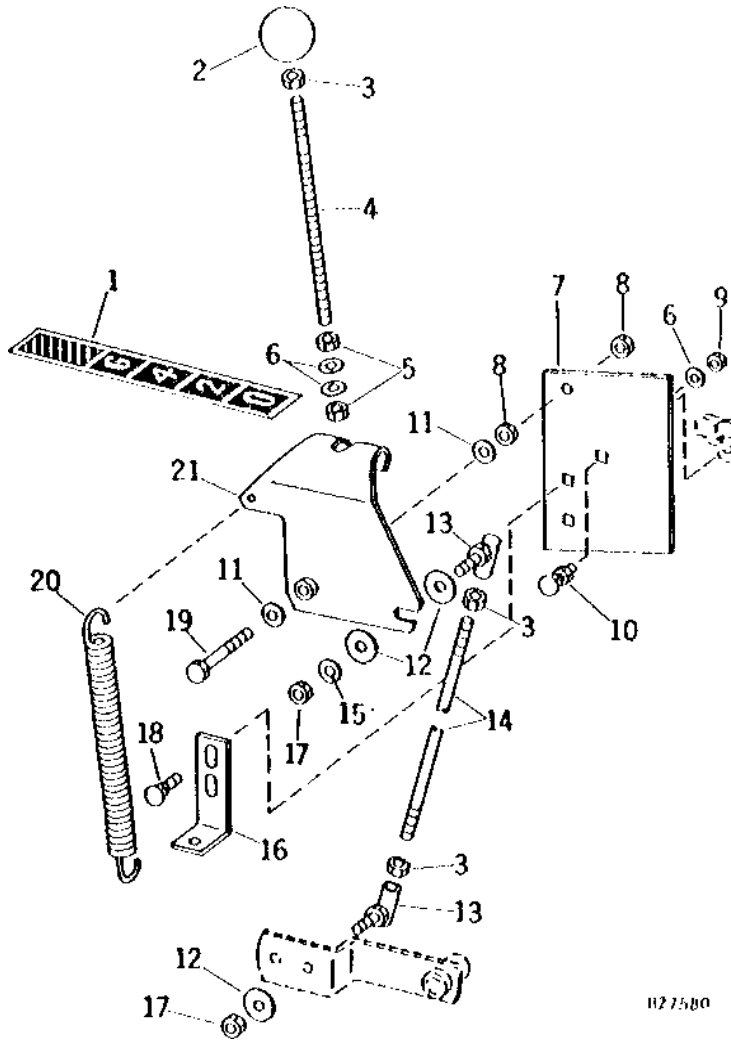
KEY	PART NO.	PART NAME	QTY	SERIAL NO.	REMARKS
1	AH89557	CLIP	3		"J" CLAMP, INSULATED
2	AH89557	CLIP	AR		"J" CLAMP, INSULATED
3	R44302	TIE BAND	3		
4	AH90716	WIRING HARNESS	1		4242 MM (167") LONG

C23

50 SERIES ROW-CROP HEADS

HEIGHT RANGE INDICATOR
 (453, 454, 653, 654, 853 SERIAL NO. 247350-)
 (554 SERIAL NO. 344701-)

H27580 -UN-01JAN94

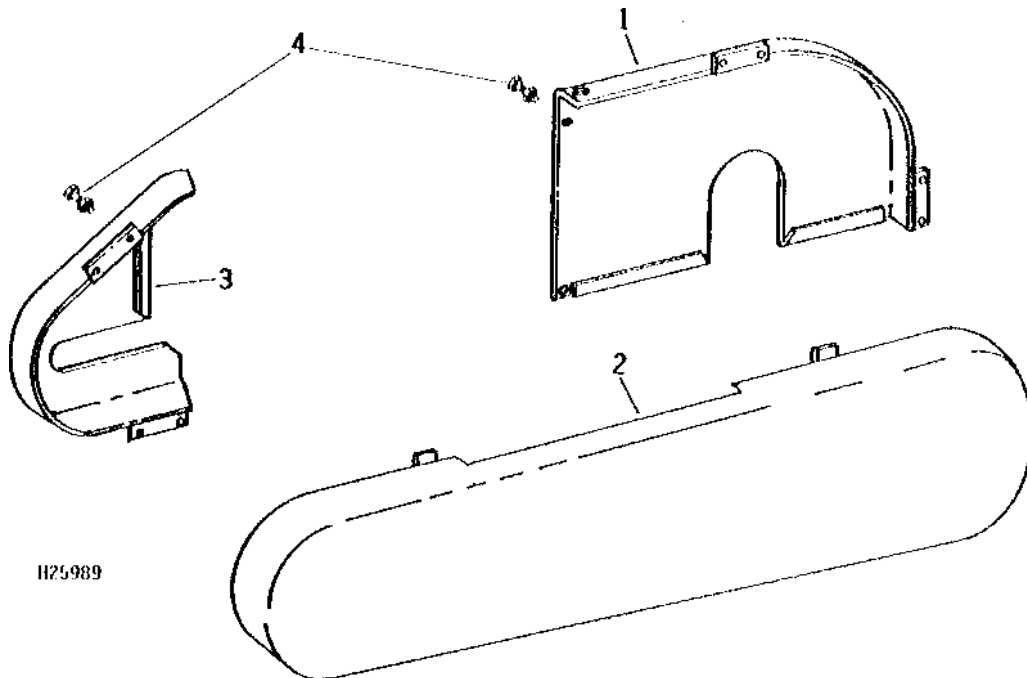


H27580

KEY	PART NO.	PART NAME	QTY	SERIAL NO.	REMARKS
1	DECAL	1		(FOR SERVICE, USE AH100289 KIT)
2	H89561	KNOB	1		INDICATOR
3	14H882	NUT	3		5/16"
4	H93173	STUD	1		
5	14H650	NUT	2		5/16"
6	24H1136	WASHER	4		11/32" X 11/16" X 0.065"
7	H91781	PLATE	1		
8	14H812	NUT	2		3/8"
9	14H785	NUT	2		5/16"
10	03H1709	BOLT	1		5/16" X 1"
	14H785	NUT	1		5/16"
	24H1305	WASHER	2		13/32" X 13/16" X 0.065"
12	24H1306	WASHER	2		13/32" X 1" X 0.035"
13	AH76556	BALL JOINT	2		
14	H91779	STUD	1		
15	12H304	LOCK WASHER	1		3/8"
16	H88343	BRACKET	1	-426350	(SUB H103628)
	H103628	BRACKET	1		
17	14H846	NUT	2		3/8"
18	03H1709	BOLT	2		5/16" X 1"
19	19H2553	CAP SCREW	1		3/8" X 2-5/8"
20	R2577R	SPRING	1		
21	AH92500	CRANK	1		

H25989 -UN-01JAN94

ROW-CROP DRIVE SHIELDS

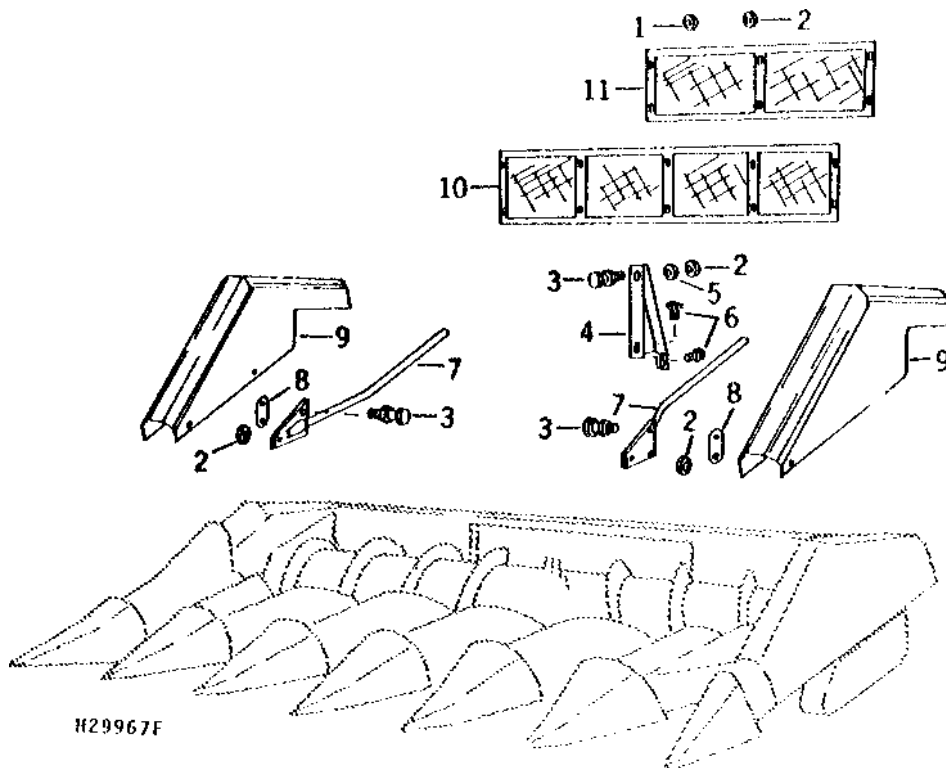


H25989

KEY	PART NO.	PART NAME	QTY	SERIAL NO.	REMARKS
1	AH90205	SHIELD	1		R.H., AUGER DRIVE
2	AH90260	SHIELD	1	-393964	(SUB AH96232)
	AH96232	SHIELD	1		R.H.
	AH90261	SHIELD	1	-344700	L.H. (554, 653, 654, AND 853) (SUB AH96233)
	AH96233	SHIELD	1		L.H. (554, 653, 654, AND 853)
3	AH90206	SHIELD	1	-344700	(454, 554, AND 653) (SUB AH92628)
	AH92628	SHIELD	1		(454, 554, AND 653) AUGER DRIVE
	AH92628	SHIELD	1	245001-	(453, 654, AND 853) AUGER DRIVE
4	N10213	LOCK NUT	1		

SUNFLOWER ATTACHMENT

H29967F -UN-01JAN94



KEY	PART NO.	PART NAME	QTY	SERIAL NO.	REMARKS
1	24H1788	WASHER	4	17/32" X 1-1/8" X 0.060"	
2	24H1136	WASHER	AR	11/32" X 11/16" X 0.065"	
3	03H1709	BOLT	AR	5/16" X 1"	
	12H303	LOCK WASHER	AR	5/16"	
	14H785	NUT	AR	5/16"	
4	H99229	SUPPORT	AR	(453, 454, 554, 653, 654, AND 853-3 USED; 454, 554, 653, 654, AND 853-2 USED)	
5	24H1621	WASHER	AR	11/32" X 1" X 0.220"	
6	H76139	SCREW	AR	SELF-TAPPING, (453-6 USED; 454, 554-10 USED; 653, 654, AND 853-12 USED)	
7	AH99718	DEFLECTOR	2	(NO LONGER AVAILABLE)	
8	N10909	QUADRANT	2	(453, 454, 554, 653, 654, AND 853)	
9	AH94750	SHIELD	2	(453, 454, 554, 653, 654, AND 853)	
10	AH97860	DEFLECTOR	1	REAR, CENTER, (453, 454, 554, 653, 654, AND 853)	
11	AH97861	DEFLECTOR	1	REAR, EXTENSION, (453, 454, 554, 653, 654, AND 853)	

**DECALS
(NOT ILLUSTRATED)**

KEY	PART NO.	PART NAME	QTY	SERIAL NO.	REMARKS
..	AH91835	DECAL KIT	1	-247349	(ON R.H. AND L.H. SIDE; CENTERED ON DRIVE SHIELD) DECAL--012223344455678 (MAKE 453-LOCATED ON R.H. AND L.H. SIDE; CENTERED ON OUTER GATHERER SHEET) REFLECTIVE TAPE (RED-LOCATED IN REAR; UPPER L.H. AND R.H. SIDE) REFLECTIVE TAPE (AMBER-LOCATED IN REAR; UPPER L.H. SIDE) "CAUTION" (LOCATED IN REAR; R.H. AND L.H. SIDE) "LEAPING DEER" (203 MM (8"))-LOCATED ON R.H. AND L.H. SIDE) (SUB AH93276)
..	AH90285	DECAL KIT	1	-245000	(ON R.H. SIDE; CENTERED ON DRIVE SHIELD) "454" (ON R.H. AND L.H. SIDE; CENTERED ON OUTER GATHERER SHEET) REFLECTIVE TAPE (RED-LOCATED IN REAR; UPPER L.H. AND R.H. SIDE) REFLECTIVE TAPE (AMBER-LOCATED IN REAR; UPPER L.H. SIDE) "CAUTION" (LOCATED IN REAR; R.H. SIDE) "LEAPING DEER" (203 MM (8"))-LOCATED ON R.H. AND L.H. SIDE)(SUB AH91835)
..	AH90286	DECAL KIT	1	-245000	(ON R.H. AND L.H. SIDE; CENTERED ON DRIVE SHIELD) "554" (ON R.H. AND L.H. SIDE; CENTERED ON OUTER GATHERER SHEET) REFLECTIVE TAPE (RED-LOCATED IN REAR; UPPER L.H. AND R.H. SIDE) REFLECTIVE TAPE (AMBER-LOCATED IN REAR; UPPER L.H. SIDE) "CAUTION" (LOCATED IN REAR; R.H. AND L.H. SIDE) "LEAPING DEER" (203 MM (8"))-LOCATED ON R.H. AND L.H. SIDE)(SUB AH91835)
..	AH90287	DECAL KIT	1	-245000	(ON R.H. AND L.H. SIDE; CENTERED ON DRIVE SHIELD) "653" (ON R.H. AND L.H. SIDE; CENTERED ON OUTER GATHERER SHEET) REFLECTIVE TAPE (RED-LOCATED IN REAR; UPPER L.H. AND R.H. SIDE) REFLECTIVE TAPE (AMBER-LOCATED IN REAR; UPPER L.H. SIDE) "CAUTION" (LOCATED IN REAR; R.H. AND L.H. SIDE) "LEAPING DEER" (203 MM (8"))-LOCATED ON R.H. AND L.H. SIDE)(SUB AH91835)
..	AH93276	DECAL KIT	1	-390600	(SUB AH100289) (ON R.H. AND L.H. SIDE; CENTERED ON DRIVE SHIELD) "DECAL" (012223344455678) (ON R.H. AND L.H. SIDE; CENTERED ON GATHERER SHEET) REFLECTIVE TAPE (RED-LOCATED IN REAR; UPPER L.H. AND R.H. SIDE) REFLECTIVE TAPE (AMBER-LOCATED IN REAR; UPPER L.H. SIDE) "CAUTION" (LOCATED IN REAR; R.H. AND L.H. SIDE) "LEAPING DEER" (203 MM (8"))-(LOCATED ON R.H. AND L.H. SIDE) "RANGE INDICATOR" (LOCATED ON TOP L.H. SIDE OF GATHERER SHEET)
..	AH100289	DECAL KIT	1		(ON R.H. AND L.H. SIDES; CENTERED ON DRIVE SHIELD) "DECAL" (012223344455678A) (ON R.H. AND L.H. SIDE; CENTERED ON GATHERER SHEET) REFLECTIVE TAPE (RED-LOCATED IN REAR; UPPER L.H. AND R.H. SIDE) REFLECTIVE TAPE (AMBER-LOCATED IN REAR; UPPER L.H. SIDE) "CAUTION" (LOCATED IN REAR; R.H. AND L.H. SIDE) "LEAPING DEER" (203 MM (8"))-LOCATED ON R.H. AND L.H. SIDE) "RANGE INDICATOR"
..	H105556	LABEL	AR		012223344455678A
..	E74026	DECAL	AR		"DANGER" (DRIVE SHAFT)(SIDEHILL ONLY)

NUMERICAL INDEX

PART NO.	GRID	KEY	PAGE	PART NO.	GRID	KEY	PAGE	PART NO.	GRID	KEY	PAGE
AB1288H	B20	1	24	AH117531	B3	2	6	AH89638	C7	8	36
AB1288H	C1	7	30	AH117531	B5	2	8	AH89638	C17	17	46
AB1288H	C1	15	30	AH117975	C21	24	51	AH89641	C9	10	38
AB1288H	C3	7	32	AH124929	B23	32	27	AH89641	C11	8	40
AB1288H	C3	15	32	AH126377	C13	6	42	AH89644	C9	2	38
AB1288H	C5	7	34	AH132334	B23	24	27	AH89644	C10	2	39
AB1288H	C5	15	34	AH134684	B4	16	7	AH89644	C11	17	40
AB1288H	C7	7	36	AH134684	B6	22	9	AH89645	C9	2	38
AB1288H	C7	15	36	AH134685	B6	22	9	AH89646	C11	26	40
AB1288H	C14	43	43	AH136620	B23	39	27	AH89648	C4	28	33
AB1288H	C15	27	44	AH60752	C12	5	41	AH89648	C8	28	37
AB1288H	C18	32	47	AH60756	C12	10	41	AH89648	C9	11	38
AB1288H	C18	36	47	AH61953	C12	6	41	AH89648	C10	11	39
AB1289H	B20	1	24	AH62345	C19	4	49	AH89648	C15	19	44
AB1289H	C1	7	30	AH76556	C20	2	50	AH89648	C17	14	46
AB1289H	C1	15	30	AH76556	C23	13	53	AH89694	B20	15	24
AB1289H	C3	15	32	AH87944	B22	5A	26	AH89697	C21	22	51
AB1289H	C5	7	34	AH87953	C2	37	31	AH89801	C2	45	31
AB1289H	C5	15	34	AH87953	C6	38	35	AH89802	C6	47	35
AB1289H	C7	7	36	AH87953	C13	20	42	AH89802	C13	18	42
AB1289H	C7	15	36	AH88522	B23	32	27	AH89803	C6	47	35
AB1289H	C14	43	43	AH88540	C2	41	31	AH89803	C13	18	42
AB1289H	C15	27	44	AH88540	C6	29	35	AH89804	C2	52	31
AB1289H	C18	32	47	AH88540	C8	29	37	AH89804	C4	54	33
AB1289H	C18	36	47	AH88540	C11	25	40	AH89804	C6	49	35
AB1290H	C1	7	30	AH88540	C13	14	42	AH89804	C8	53	37
AB1290H	C3	7	32	AH88540	C16	34	45	AH89804	C14	42	43
AB1290H	C5	7	34	AH88540	C18	42	47	AH89804	C16	33	45
AB1290H	C7	7	36	AH89445	C9	2	38	AH89804	C17	16	46
AB1290H	C18	36	47	AH89557	C22	1	52	AH89805	C2	45	31
AE22753	C12	3	41	AH89557	C22	2	52	AH89835	B7	12	10
AE26066	B18	5	22	AH89588	C19	1	49	AH89836	B7	12	10
AE27079	B18	1	22	AH89589	C19	11	49	AH89837	B11	20	15
AE27136	B18	6	22	AH89590	C20	8	50	AH89838	B11	23	15
AE27909	B20	3	24	AH89630	B16	8	20	AH89839	B11	20	15
AE27909	C1	1	30	AH89631	B19	3	23	AH89840	B11	23	15
AE27909	C3	1	32	AH89631	B20	4	24	AH89996	B17	3	21
AE27909	C5	1	34	AH89632	B21	26	25	AH89996	B17	4	21
AE27909	C7	1	36	AH89633	B19	1	23	AH90205	C24	1	54
AE27909	C13	33	42	AH89634	B16	8	20	AH90206	C24	3	54
AE27909	C15	23	44	AH89635	C1	16	30	AH90207	B23	37	27
AE27909	C17	15	46	AH89635	C3	16	32	AH90210	C2	46	31
AE32504	B19	15	23	AH89635	C5	16	34	AH90211	C6	43	35
AH100289	C23	1	53	AH89635	C7	16	36	AH90211	C13	12	42
AH100289	D1	..	56	AH89635	C13	1	42	AH90217	B13	6	17
AH101458	B23	39	27	AH89635	C15	28	44	AH90220	B3	4	6
AH101459	B23	39	27	AH89635	C17	26	46	AH90221	B3	4	6
AH101460	B23	39	27	AH89636	C2	27	31	AH90222	B3	4	6
AH101461	B23	39	27	AH89636	C6	27	35	AH90223	B23	24	27
AH101462	B23	39	27	AH89636	C9	15	38	AH90224	B23	39	27
AH101464	B23	39	27	AH89636	C11	3	40	AH90227	B23	39	27
AH102528	B13	8	17	AH89636	C13	29	42	AH90229	B23	39	27
AH102529	B13	8	17	AH89637	C2	27	31	AH90231	B23	39	27
AH102723	B7	11	10	AH89637	C2	28	31	AH90234	B12	2	16
AH102723	B10	9	14	AH89637	C4	27	33	AH90235	B12	3	16
AH102872	B9	1	13	AH89637	C6	27	35	AH90236	B12	2	16
AH102873	B9	1	13	AH89637	C6	28	35	AH90237	B12	3	16
AH107066	B22	5A	26	AH89637	C8	27	37	AH90238	B13	8	17
AH107066	B22	5B	26	AH89637	C9	15	38	AH90239	B16	13	20
AH109666	B7	12	10	AH89637	C10	15	39	AH90240	B3	4	6
AH109667	B7	12	10	AH89637	C11	3	40	AH90241	B13	1	17
AH111312	B23	39	27	AH89637	C13	29	42	AH90242	B13	1	17
AH111314	B23	39	27	AH89637	C18	41	47	AH90244	B17	7	21
AH113100	C12	12	41	AH89638	B22	16	26	AH90245	C9	27	38
AH113101	C12	10	41	AH89638	C1	8	30	AH90246	B20	16	24
AH11668	C12	12	41	AH89638	C3	8	32	AH90247	B9	1	13
AH117530	B8	4	11	AH89638	C5	8	34	AH90248	B9	1	13

NUMERICAL INDEX - CONTINUED

PART NO.	GRID	KEY	PAGE	PART NO.	GRID	KEY	PAGE	PART NO.	GRID	KEY	PAGE
AH90249	B7	11	10	AH94160	B14	3	18	AN102373	B7	13	10
AH90249	B10	9	14	AH94195	B15	11	19	AP24580	C12	3	41
AH90250	B13	3	17	AH94725	B15	9	19	AT34059	B12	7	16
AH90251	B13	3	17	AH94750	C25	9	55	AT34059	B13	10A	17
AH90260	C24	2	54	AH94818	B20	15	24	A3581R	B15	1	19
AH90261	C24	2	54	AH94819	B20	12	24	BP12233	B16	9	20
AH90285	D1	..	56	AH94819	B20	14	24	B10608	C2	31	31
AH90286	D1	..	56	AH95424	B3	4	6	B10608	C6	32	35
AH90287	D1	..	56	AH95424	B5	4	8	B10608	C9	7	38
AH90289	B13	1	17	AH95425	B3	4	6	B10608	C10	7	39
AH90290	B13	1	17	AH95425	B5	4	8	B10608	C11	11	40
AH90291	B13	3	17	AH95426	B3	4	6	B10608	C13	26	42
AH90292	B13	3	17	AH95426	B5	4	8	B10608	C17	9	46
AH90296	B19	12	23	AH95428	C8	31	37	B29404	B17	3	21
AH90476	B8	1	11	AH95428	C16	36	45	B5234H	C1	15	30
AH90479	B8	1	11	AH95429	C8	31	37	B5234H	C3	15	32
AH90482	B13	4	17	AH95429	C16	36	45	B5234H	C5	15	34
AH90483	B13	4	17	AH95430	C4	45	33	B5234H	C7	15	36
AH90538	C21	24	51	AH95431	C8	41	37	B5234H	C14	43	43
AH90676	B20	11	24	AH95431	C15	3	44	B5234H	C15	27	44
AH90716	C22	4	52	AH95432	C8	41	37	B5234H	C18	32	47
AH91437	B16	13	20	AH95432	C15	3	44	B5235H	B18	1	22
AH91491	C13	6	42	AH95449	B3	4	6	B5235H	B20	1	24
AH91494	C13	6	42	AH95449	B5	4	8	B5235H	C1	7	30
AH91730	C17	2	46	AH95450	B3	4	6	B5235H	C1	15	30
AH91784	C4	47	33	AH95450	B5	4	8	B5235H	C3	7	32
AH91784	C8	39	37	AH95452	B3	4	6	B5235H	C3	15	32
AH91784	C15	1	44	AH95452	B5	4	8	B5235H	C5	7	34
AH91784	C18	51	47	AH96232	C24	2	54	B5235H	C5	15	34
AH91787	B3	4	6	AH96233	C24	2	54	B5235H	C7	7	36
AH91835	D1	..	56	AH96234	C2	48	31	B5235H	C7	15	36
AH92500	C23	21	53	AH96723	B13	4	17	B5235H	C14	43	43
AH92626	C18	44	47	AH96723	B13	8	17	B5235H	C15	27	44
AH92628	C24	3	54	AH96931	B12	4	16	B5235H	C18	32	47
AH93004	B23	39	27	AH96932	B12	1	16	B5235H	C18	36	47
AH93006	B23	39	27	AH96933	B12	4	16	B5321H	B20	1	24
AH93056	C2	48	31	AH96934	B12	1	16	B5321H	C1	7	30
AH93056	C4	50	33	AH97284	C10	2	39	B5321H	C1	15	30
AH93100	B9	1	13	AH97860	C25	10	55	B5321H	C3	7	32
AH93132	B23	39	27	AH97861	C25	11	55	B5321H	C5	7	34
AH93138	B3	4	6	AH97940	C17	2	46	B5321H	C5	15	34
AH93142	C18	44	47	AH98311	C10	27	39	B5321H	C7	7	36
AH93143	C17	2	46	AH98810	B23	39	27	B5321H	C14	43	43
AH93210	B13	3	17	AH98994	B5	4	8	B5321H	C18	36	47
AH93211	B13	3	17	AH98995	B3	4	6	C1099E	B4	7	7
AH93212	B13	3	17	AH98995	B5	4	8	C1099E	B6	9	9
AH93213	B13	3	17	AH98996	B3	4	6	C1099E	B10	7	14
AH93214	B13	1	17	AH98996	B5	4	8	C1099E	B17	5	21
AH93215	B13	1	17	AH98997	B3	4	6	C13443	B7	4	10
AH93216	B13	1	17	AH98997	B5	4	8	C13443	B10	2	14
AH93217	B13	1	17	AH98998	B3	4	6	C2214E	C2	39	31
AH93231	B12	3	16	AH98998	B5	4	8	C2214E	C6	40	35
AH93231	B20	6	24	AH99000	B3	4	6	C2214E	C13	16	42
AH93232	B12	3	16	AH99000	B5	4	8	C3994E	B22	18	26
AH93233	B12	3	16	AH99718	C25	7	55	C3994E	C2	25	31
AH93276	D1	..	56	AN102010	B22	19	26	C3994E	C4	25	33
AH93540	B4	7	7	AN102010	C2	24	31	C3994E	C6	25	35
AH93540	B6	7	9	AN102010	C4	24	33	C3994E	C8	25	37
AH93727	B8	1	11	AN102010	C6	24	35	C3994E	C9	12	38
AH93941	C4	38	33	AN102010	C8	24	37	C3994E	C10	12	39
AH93941	C8	48	37	AN102010	C9	13	38	C3994E	C11	5	40
AH93941	C10	10	39	AN102010	C10	13	39	C3994E	C13	10	42
AH93941	C11	8	40	AN102010	C11	6	40	C3994E	C15	16	44
AH93941	C15	10	44	AN102010	C13	11	42	C3994E	C18	30	47
AH93941	C17	12	46	AN102010	C15	17	44	E10644	B21	19	25
AH94158	B13	2	17	AN102010	C18	29	47	E34174	B18	2	22
AH94159	B14	2	18	AN102372	B7	13	10	E45229	B18	4	22

NUMERICAL INDEX - CONTINUED

PART NO.	GRID	KEY	PAGE	PART NO.	GRID	KEY	PAGE	PART NO.	GRID	KEY	PAGE
E45875	C2	36	31	H103265	C18	30	47	H143581	C13	20	42
E45875	C6	37	35	H103621	C20	14	50	H22039	C4	33	33
E45875	C13	21	42	H103622	C20	14	50	H22039	C8	34	37
E50102	B22	8	26	H103624	C20	14	50	H22039	C12	4	41
E50102	C2	32	31	H103625	C20	14	50	H22039	C16	39	45
E50102	C2	53	31	H103627	C20	14	50	H22039	C18	47	47
E50102	C4	44	33	H103628	C19	7	49	H22135	C12	8	41
E50102	C6	33	35	H103628	C23	16	53	H24673	C12	11	41
E50102	C6	53	35	H105556	D1	..	56	H31571	C20	10	50
E50102	C8	42	37	H107116	C21	17	51	H35309	C20	6	50
E50102	C13	25	42	H109119	B15	4	19	H65108	B3	3	6
E50102	C14	35	43	H111544	B3	5	6	H65108	B5	3	8
E50102	C15	4	44	H111544	B5	5	8	H75371	B23	34	27
E50102	C17	3	46	H111545	B6	5	9	H75371	C1	10	30
E55662	B6	18	9	H111546	B6	5	9	H75371	C3	10	32
E55662	B7	14	10	H111547	B6	5	9	H75371	C5	10	34
E55662	B11	22	15	H111548	B3	5	6	H75371	C7	10	36
E55662	B12	6	16	H111548	B6	5	9	H75371	C17	23	46
E55662	B13	11	17	H111550	B3	5	6	H76139	B20	17	24
E55662	B22	15	26	H111550	B6	5	9	H76139	C6	51	35
E55662	B22	23	26	H111902	B24	1	29	H76139	C8	38	37
E55662	C2	22	31	H111903	B24	1	29	H76139	C9	20	38
E55662	C3	22	32	H111904	B24	3	29	H76139	C10	20	39
E55662	C5	22	34	H111905	B24	3	29	H76139	C11	23	40
E55662	C7	22	36	H113789	B15	2	19	H76139	C14	41	43
E55662	C8	35	37	H113906	B16	7	20	H76139	C16	43	45
E55662	C9	14	38	H114641	C1	4	30	H76139	C18	50	47
E55662	C9	21	38	H114641	C3	4	32	H76139	C25	6	55
E55780	B18	3	22	H114641	C7	4	36	H77433	C2	31	31
E62951	C4	33	33	H114641	C15	24	44	H77433	C4	36	33
E62951	C8	34	37	H114641	C18	39	47	H77433	C6	32	35
E62951	C12	4	41	H118913	B22	6	26	H77433	C8	50	37
E62951	C16	39	45	H121709	B21	19	25	H77433	C13	26	42
E62951	C18	47	47	H130934	B24	1	29	H77433	C15	12	44
E74026	C9	24	38	H130935	B24	1	29	H77433	C17	9	46
E74026	C10	24	39	H134062	C9	25	38	H80926	C4	46	33
E74026	C11	18	40	H134062	C10	25	39	H80926	C8	40	37
E74026	D1	..	56	H134063	C11	19	40	H80926	C15	2	44
H100090	B4	16	7	H134192	B6	6	9	H80926	C17	1	46
H100090	B6	22	9	H134193	B6	6	9	H84480	B11	21	15
H100293	B21	30	25	H134194	B4	6	7	H85104	B7	15	10
H100312	B6	22	9	H134194	B6	6	9	H858R	C21	21	51
H100442	B4	16	7	H134195	B4	6	7	H86656	B22	8	26
H100442	B6	22	9	H134195	B6	6	9	H86918	B22	2	26
H101275	B21	19	25	H134196	B4	6	7	H86918	B23	28	27
H101606	B21	19	25	H134196	B6	6	9	H87044	B22	3	26
H101607	B20	12	24	H134197	B4	6	7	H87059	C2	42	31
H101607	B20	14	24	H134197	B6	6	9	H87059	C6	42	35
H101759	B23	30	27	H134198	B4	6	7	H87059	C8	30	37
H101760	B23	30	27	H134198	B6	6	9	H87059	C11	27	40
H101761	B23	30	27	H134199	B4	6	7	H87059	C13	13	42
H101762	B23	30	27	H134199	B6	6	9	H87059	C16	35	45
H101763	B23	30	27	H140125	B9	4	13	H87059	C18	43	47
H101764	B23	30	27	H141774	B5	5	8	H87069	B22	4A	26
H102724	B22	4B	26	H141775	B6	5	9	H87121	B20	5	24
H102724	B22	5A	26	H141776	B5	5	8	H87121	C1	2	30
H102883	B17	1	21	H141777	B6	5	9	H87121	C5	2	34
H103265	B22	18	26	H141778	B3	5	6	H87121	C18	35	47
H103265	C2	25	31	H141778	B5	5	8	H87184	B23	27	27
H103265	C4	25	33	H141779	B3	5	6	H87192	B22	1	26
H103265	C6	25	35	H141779	B6	5	9	H87193	B23	29	27
H103265	C8	25	37	H141780	B3	5	6	H87206	C2	32	31
H103265	C9	12	38	H141780	B5	5	8	H87206	C6	33	35
H103265	C10	12	39	H141781	B3	5	6	H87206	C9	6	38
H103265	C11	5	40	H141781	B6	5	9	H87206	C10	6	39
H103265	C13	10	42	H143581	C2	37	31	H87206	C11	12	40
H103265	C15	16	44	H143581	C6	38	35	H87206	C13	25	42

NUMERICAL INDEX - CONTINUED

PART NO.	GRID	KEY	PAGE	PART NO.	GRID	KEY	PAGE	PART NO.	GRID	KEY	PAGE
H87226	C8	36	37	H88594	C2	26	31	H88731	B10	12	14
H87226	C16	40	45	H88594	C4	26	33	H88732	B10	1	14
H87226	C18	48	47	H88594	C6	26	35	H88733	B10	1	14
H87257	B22	9	26	H88594	C8	26	37	H88734	B10	14	14
H87258	B22	10	26	H88594	C18	31	47	H88735	B4	7	7
H87501	C12	1	41	H88601	C6	48	35	H88736	B4	7	7
H87944	B24	1	29	H88602	C6	48	35	H88751	C21	17	51
H87945	B24	1	29	H88603	B16	4	20	H88978	B8	4	11
H87946	B24	3	29	H88621	B13	12	17	H88981	C11	24	40
H87947	B24	3	29	H88622	B13	12	17	H88981	C14	39	43
H87993	C2	43	31	H88623	B13	12	17	H88982	C6	50	35
H87993	C4	48	33	H88624	B13	12	17	H88982	C9	22	38
H88095	C9	25	38	H88641	C20	16	50	H88982	C10	22	39
H88095	C10	25	39	H88653	B12	1	16	H88983	C6	44	35
H88095	C11	19	40	H88654	B12	4	16	H88983	C13	9	42
H88335	C20	4	50	H88655	B12	1	16	H89211	B7	8	10
H88336	C19	13	49	H88656	B12	4	16	H89211	B10	6	14
H88343	C19	7	49	H88666	B3	5	6	H89456	C9	23	38
H88343	C23	16	53	H88667	B3	5	6	H89456	C10	23	39
H88344	C19	15	49	H88668	B4	6	7	H89456	C11	20	40
H88348	C19	14	49	H88669	B4	6	7	H89561	C23	2	53
H88350	C20	7	50	H88670	B4	14	7	H89701	B22	6	26
H88401	B20	12	24	H88671	B4	14	7	H91615	B6	20	9
H88401	B20	14	24	H88672	B3	5	6	H91779	C23	14	53
H88405	B19	7	23	H88673	B3	5	6	H91781	C23	7	53
H88406	B16	10	20	H88674	B4	6	7	H91863	B4	12	7
H88407	B21	24	25	H88675	B4	6	7	H91863	B6	12	9
H88414	C2	35	31	H88676	B4	14	7	H91864	B4	11	7
H88414	C6	36	35	H88677	B4	14	7	H91864	B6	11	9
H88414	C13	22	42	H88678	B4	15	7	H92100	C6	50	35
H88424	C13	5	42	H88679	B3	5	6	H92100	C8	37	37
H88425	B16	7	20	H88680	B3	5	6	H92100	C18	49	47
H88426	C2	32	31	H88681	B4	6	7	H92101	C11	24	40
H88426	C4	37	33	H88682	B4	6	7	H92101	C14	39	43
H88426	C6	33	35	H88683	B4	14	7	H92101	C16	42	45
H88426	C8	49	37	H88684	B4	14	7	H92101	C18	49	47
H88426	C13	25	42	H88685	B3	5	6	H92175	B4	6	7
H88426	C15	11	44	H88685	B5	5	8	H92175	B6	6	9
H88426	C17	8	46	H88686	B3	5	6	H92179	B4	6	7
H88436	C9	18	38	H88686	B5	5	8	H92179	B6	6	9
H88436	C10	18	39	H88687	B4	6	7	H92196	B3	5	6
H88439	C11	7	40	H88687	B6	6	9	H92196	B6	5	9
H88439	C15	15	44	H88688	B4	6	7	H92231	B3	5	6
H88439	C17	13	46	H88688	B6	6	9	H92231	B5	5	8
H88509	B20	12	24	H88689	B4	14	7	H92275	B4	14	7
H88509	B20	14	24	H88689	B6	14	9	H92275	B6	14	9
H88510	B19	8	23	H88690	B4	14	7	H92279	B4	14	7
H88511	B19	8	23	H88690	B6	14	9	H92279	B6	14	9
H88530	B23	30	27	H88691	B4	15	7	H92286	B4	15	7
H88531	B23	30	27	H88691	B6	15	9	H92286	B6	15	9
H88532	B23	30	27	H88700	B17	1	21	H92290	B4	15	7
H88534	B23	30	27	H88704	B7	2	10	H92290	B6	15	9
H88537	B17	4	21	H88704	B11	19	15	H92331	B13	12	17
H88538	B16	11	20	H88704	C1	4	30	H92338	C20	14	50
H88538	B17	9	21	H88704	C5	4	34	H92500	B23	30	27
H88539	C20	14	50	H88704	C14	37	43	H92502	B23	30	27
H88540	C20	14	50	H88704	C18	39	47	H93173	C23	4	53
H88541	C20	14	50	H88715	B9	4	13	H93355	B10	1	14
H88542	C20	14	50	H88716	B9	4	13	H93355	B10	12	14
H88585	B4	11	7	H88717	B9	2	13	H93355	B10	14	14
H88585	B6	11	9	H88721	B11	16	15	H93439	C4	32	33
H88586	B4	15	7	H88722	B10	12	14	H93439	C8	33	37
H88587	B4	12	7	H88723	B10	13	14	H93439	C16	38	45
H88587	B6	12	9	H88724	B10	10	14	H93439	C18	46	47
H88588	B4	15	7	H88725	B10	10	14	H93916	B10	1	14
H88591	B3	2	6	H88729	B10	13	14	H93916	B10	12	14
H88591	B5	2	8	H88730	B11	16	15	H93917	B10	1	14

NUMERICAL INDEX - CONTINUED

PART NO.	GRID	KEY	PAGE	PART NO.	GRID	KEY	PAGE	PART NO.	GRID	KEY	PAGE
H93917	B10	12	14	H97516	B6	16	9	N10215	C14	34	43
H93956	C4	38	33	H97517	B20	5	24	N10215	C15	18	44
H93956	C8	48	37	H97517	C1	2	30	N10215	C16	41	45
H93956	C15	10	44	H97517	C3	2	32	N10215	C18	33	47
H93956	C17	12	46	H97517	C5	2	34	N103236	B20	18	24
H94111	B13	12	17	H97517	C7	2	36	N103631	B7	17	10
H94134	B3	5	6	H97517	C18	35	47	N10909	C25	8	55
H94134	B5	5	8	H97518	C1	4	30	N14247	C1	13	30
H94135	B3	5	6	H97518	C3	4	32	N14247	C3	13	32
H94135	B6	5	9	H97518	C7	4	36	N14247	C5	13	34
H94136	B4	6	7	H97518	C15	24	44	N14247	C7	13	36
H94136	B6	6	9	H97518	C18	39	47	N14247	C13	4	42
H94137	B4	6	7	H99229	C25	4	55	N14247	C15	31	44
H94137	B6	6	9	JD7797	C12	7	41	N14247	C17	22	46
H94138	B4	14	7	JD7797	C19	5	49	N14393	B16	3	20
H94138	B6	14	9	JD8551	B22	12	26	N14393	B19	9	23
H94139	B4	14	7	JD8552	B22	14	26	P41706	B23	26	27
H94139	B6	14	9	JD9238	B19	4	23	P42232	B19	5	23
H94140	B4	15	7	JD9313	B16	1	20	P42232	B21	23	25
H94140	B6	15	9	JD9313	C1	14	30	P43922	C21	23	51
H94141	B4	15	7	JD9313	C3	14	32	P45502	B22	13	26
H94141	B6	15	9	JD9313	C5	14	34	P49554	C12	2	41
H94142	C20	14	50	JD9313	C7	14	36	P50419	C4	31	33
H94637	B12	7	16	JD9313	C13	3	42	P50419	C8	32	37
H94637	B13	10B	17	JD9313	C15	30	44	P50419	C16	37	45
H94691	B12	4	16	JD9313	C17	21	46	P50419	C18	45	47
H94692	B12	1	16	JD9338	B19	4	23	R2577R	C19	10	49
H94693	B12	4	16	JD9338	B21	22	25	R2577R	C23	20	53
H94694	B12	1	16	J13155	B21	28	25	R43215	C20	13	50
H95034	C4	41	33	J16931	B4	7	7	R44302	C22	3	52
H95034	C8	45	37	J16931	B6	8	9	R66143	C20	13	50
H95034	C10	3	39	J16931	B10	8	14	T16464	B23	40	27
H95034	C15	7	44	J16931	B17	6	21	W23122	B19	2	23
H95034	C17	5	46	J16931	C20	9	50	Z699H	C2	34	31
H95475	B15	6	19	M40808	B19	2	23	Z699H	C4	40	33
H95476	B15	2	19	N100101	C2	33	31	Z699H	C6	35	35
H95478	B15	4	19	N100101	C4	39	33	Z699H	C8	46	37
H95938	B20	16	24	N100101	C6	34	35	Z699H	C9	4	38
H95999	B20	12	24	N100101	C8	47	37	Z699H	C10	4	39
H96705	C4	30	33	N100101	C9	5	38	Z699H	C11	14	40
H96707	B6	12	9	N100101	C10	5	39	Z699H	C13	23	42
H96708	B6	15	9	N100101	C11	13	40	Z699H	C15	8	44
H96709	B6	15	9	N100101	C13	24	42	Z699H	C17	6	46
H96710	B6	6	9	N100101	C15	9	44				
H96711	B6	6	9	N100101	C17	7	46				
H96712	B6	11	9	N100129	C9	3	38				
H96713	B5	5	8	N100129	C11	15	40				
H96714	B6	5	9	N10213	B3	1	6				
H96715	B6	14	9	N10213	B4	13	7				
H96716	B6	14	9	N10213	B5	1	8				
H96722	B6	15	9	N10213	B6	13	9				
H96723	B6	15	9	N10213	B9	3	13				
H96724	B6	6	9	N10213	B10	11	14				
H96725	B6	6	9	N10213	B15	3	19				
H96726	B5	5	8	N10213	C2	49	31				
H96727	B6	5	9	N10213	C2	51	31				
H96728	B6	14	9	N10213	C4	51	33				
H96729	B6	14	9	N10213	C4	53	33				
H96732	B6	15	9	N10213	C20	15	50				
H96733	B6	15	9	N10213	C24	4	54				
H96734	B6	6	9	N10214	B7	14	10				
H96735	B6	6	9	N10214	B7	16	10				
H96736	B5	5	8	N10214	B12	7	16				
H96737	B6	5	9	N10215	C10	14	39				
H96738	B6	14	9	N10215	C10	21	39				
H96739	B6	14	9	N10215	C11	4	40				
H96762	B6	17	9	N10215	C11	21	40				